



VISION ACCOMPLISHED



2017 COLLECTION

UK

VISION ACCOMPLISHED





VISION ACCOMPLISHED

Hawke is at the forefront of optical performance with class-leading innovation and design.

Accuracy, strength and precision: our optics blend iconic design, exceptional engineering and unrivalled craftsmanship to create an unforgettable viewing experience.



CONTENTS

SPORT OPTICS

RIFLESCOPES

NEW Frontier	8
Endurance	14
Panorama	28
NEW Vantage	34
NEW +Sidewinder	58
+Airmax	66

X-ACT Reticles	72
----------------	----

CROSSBOW SCOPES

XB30 Pro	78
XBI	80
XB	81

X-ACT Software	84
----------------	----

RED DOT SIGHTS

NEW Reflex Dots	87
Red Dot Sights	88

LASERS & LEDS

Laser/LED Illuminator Foregrip	90
Laser/LED Illuminator	90
Laser/LED Illuminator Kit	91
Laser Kit	91

ACCESSORIES

Sunshades Standard	92
Sunshades Honeycomb	93
Flip-Up Covers	94
Sunshade/Flip-Up Adaptors	96
Side Wheels	98

MOUNTS

Match Ring Mounts	100
Extension Ring Mounts	102
Adjustable Ring Mounts	104
Adaptor Bases	105
Bubble Levels	105

NATURE OPTICS

BINOCULARS

Sapphire	110
Frontier	116
NEW Endurance	124
NEW Nature-Trek	132
NEW Vantage	140

SPOTTING SCOPES

Frontier	150
NEW Endurance	152
NEW Nature-Trek	156
Vantage	158

ACCESSORIES

Digi-Scoping Adaptors	162
Compact Tripods	164
Eyepieces	164
NEW Laser Range Finders	166
NEW Nature Cameras	170





RIFLESCOPES

NEW

FRONTIER

Innovative designs for long range hunting. > p.8

ENDURANCE

Designed to make hunters more successful. > p.14

PANORAMA

Maximize your field of view. > p.28

NEW

VANTAGE

Affordable performance exceeding expectations. > p.34

NEW

+SIDEWINDER

Long range shooting has a new standard. > p.58

+AIRMAX

Built for airgunners. > p.66



FRONTIER

IT'S NOT THE FINAL FRONTIER...
...BUT IT'S THE LAST ONE YOU'LL NEED.



FRONTIER

Our flagship riflescope makes a triumphant return to Hawke featuring an all new 6x ratio optical system, designed to give shooters ultimate flexibility in the field.

The index matched lenses set the Frontier apart from its rivals. Exceptional clarity throughout the field of view together with crisp image transmission ensure an unsurpassed viewing experience. The optical system with its wide magnification range, provides increased flexibility when transitioning between close and long range shooting.

The 30mm mono-tube chassis, machined from high-grade aluminium. Low-profile 1/4 inch turrets provide smooth and precise adjustments, while still maintaining a compact and efficient design. Side focus control allows for parallax

correction from 10 yards on the 2.5-15x50 model and 30 yards on the 5-30x50 model.

Integrated soft touch rubber provides a secure grip for smooth operation of the magnification ring. A quick twist, fast focus ocular and threading on the objective for supplied sunshade round out the Frontier chassis.

Shooters and hunters can choose from two glass etched reticles for the Frontier 30 SF. The LR Dot reticle has been designed around the ballistic profile of common hunting cartridges. Also available is the new TMX reticle which uses true mil spacing at 20x, with half mil indicators.

The 11 step illumination control is operated from the saddle and has been carefully crafted to ensure prime reticle viewing in any light condition.

We vigorously stress-test every Frontier scope for both shock and moisture ingress ensuring every one will stand up to extreme conditions.



FULLY MULTI-COATED LENSES

Throughout the 6x ratio optical system, all glass surfaces have received 21 layers of advanced coatings for high light transmission in all conditions.

LOW-PROFILE FINGERTIP TURRETS

Highly accurate matched turrets feature a value of $\frac{1}{4}$ inch with a total 15 inch for each revolution. Once zeroed the turrets can be reset.

ILLUMINATION RHEOSTAT AND SIDE WHEEL

Adjustments from 10 yards (30 yards 5-30x50) to infinity ensure accuracy is maintained. The rheostat on the saddle operates 11 red brightness settings.

PRECISION ENGINEERED CONSTRUCTION

All Frontier riflescopes are produced to exacting standards. Anodized surfaces are matched, ensuring the quality is seen throughout.

FAST FOCUS OCULAR ADJUSTMENT

The fast focus ocular is covered with a rubber safety ring and allows you to achieve and maintain perfect reticle sharpness with ease.

ILLUMINATION RHEOSTAT

The Frontier 30 rheostat features red illumination with 11 brightness settings to ensure your reticle is visible in every light condition.



FRONTIER 30 SF

Red IR | 30mm | SF | Waterproof

FEATURES

- 6x ratio precision engineered optical system
- 21 layer fully multi-coated optics for ultimate clarity
- Side focus control for parallax adjustment to infinity
- 30mm mono-tube chassis for superior strength
- Long eye relief for high recoil and magnum calibres
- Glass etched reticle with red illumination
- Rheostat on saddle offers 11 levels of brightness
- ¼ inch low profile 'no-slag' fingertip turrets
- Fast focus eyepiece and high torque zoom ring
- Nitrogen purged – water, shock and fog proof
- Hawke lifetime warranty



> MORE RETICLE INFORMATION ON PAGE 12

SUPPLIED WITH

- + 4 inch sunshade
- + Lens cloth
- + Lens covers
- + CR2032 battery



18 220

2.5-15x50 SF

30mm Tube

LR Dot

£599.99



18 221

2.5-15x50 SF

30mm Tube

TMX

£599.99



18 230

5-30x50 SF

30mm Tube

LR Dot (16x)

£649.99



18 231

5-30x50 SF

30mm Tube

TMX

£649.99



FRONTIER 30

Red IR | 30mm | Waterproof

FEATURES

- 6x ratio precision engineered optical system
- 21 layer fully multi-coated optics for ultimate clarity
- 30mm mono-tube chassis for superior strength
- Long eye relief for high recoil and magnum calibres
- Glass etched reticle with red illumination
- Rheostat offers 11 (18 200) / 6 (18 201) levels of brightness
- 1/4 MOA low profile 'no-snag' fingertip turrets (18 200)
- 1/10 MRAD exposed and locking turrets (18 201)
- Fast focus eyepiece and high torque zoom ring
- Nitrogen purged – water, shock and fog proof
- Hawke lifetime warranty

> MORE RETICLE INFORMATION ON PAGE 12

SUPPLIED WITH

- + Lens covers
- + CR2032 battery
- + Lens cloth



NEW



18 200

1-6x24

30mm Tube

L4A Dot

£579.99

NEW



18 201

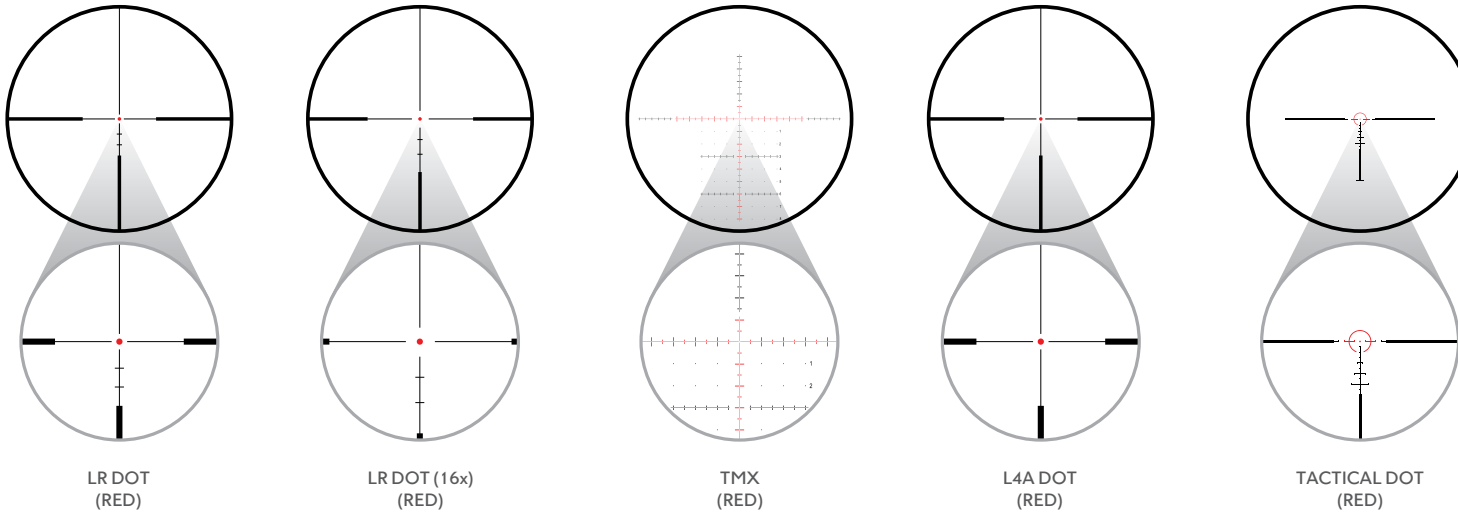
1-6x24

30mm Tube

Tactical Dot

£599.99

FRONTIER RETICLES



LR DOT

Uses common ballistic profiles of ammunition such as the .30/06, 7mm magnum and .300 magnum to create a reticle that matches rounds in the .30 caliber family.

LR DOT (16x)

Glass etched central illuminated dot with additional hold-over aim points. The LR Dot (16x) is designed to match rounds in the .30 calibre family.

TMX

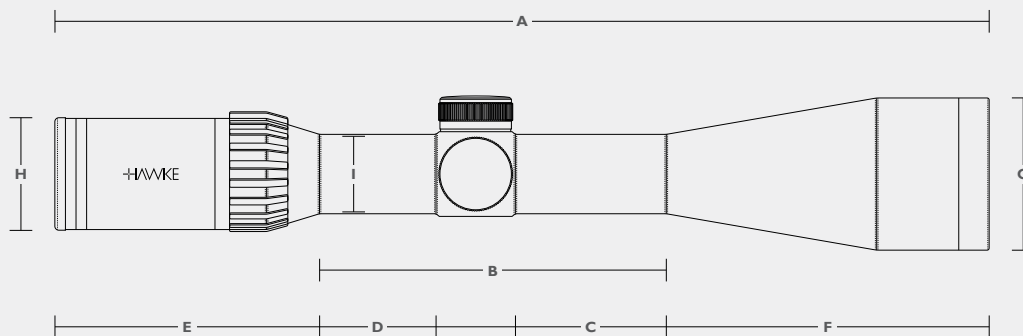
Glass etched with illuminated aim points. Based on a 20x mil dot spacing the TMX features additional windage and hold-over marks for long range shooting.

L4A DOT

A variant of the classic L4 reticle design, the L4A Dot uses a more open outer post design to keep more of the target visible while aiming.

TACTICAL DOT

Glass etched with illuminated quick acquisition circle and central aim point. Additional aim points down to 10 mil spacing when on 6x magnification.



Code	Model	Field of View		Eye Relief		PX/Focus		Turrets	Weight		A		B		C		D		E		F		G		H		I	
		ft @100yds	m @100m	in	mm	yds	m		max. MOA	oz	g	in	mm	in	mm	in	mm	in	mm	in	mm	in	mm	in	mm	in	mm	in
18 200	1-6x24	108-17.6	36-5.9	4	102	100	91	120	17.7	503	10.4	265	6.7	170	3.5	90	2	50	3.7	95	-	-	1.2	30	1.7	44	1.2	30
18 201	1-6x24	108-17.6	36-5.9	4	102	100	91	120	17.7	503	10.4	265	6.7	170	3.5	90	2	50	3.7	95	-	-	1.2	30	1.7	44	1.2	30
18 220	2.5-15x50 SF	42-6.9	14-2.3	4	102	10-∞	9-∞	120	23.4	663	13.7	349	5.2	132	2.2	57	1.7	44	3.7	95	4.8	122	2.3	58	1.7	44	1.2	30
18 221	2.5-15x50 SF	42-6.9	14-2.3	4	102	10-∞	9-∞	120	23.4	663	13.7	349	5.2	132	2.2	57	1.7	44	3.7	95	4.8	122	2.3	58	1.7	44	1.2	30
18 230	5-30x50 SF	22.8-3.9	7.6-1.3	4	102	30-∞	27-∞	60	24.5	694	13.9	354	5.2	132	2.2	57	1.7	44	3.9	100	4.8	122	2.3	58	1.7	44	1.2	30
18 231	5-30x50 SF	22.8-3.9	7.6-1.3	4	102	30-∞	27-∞	60	24.5	694	13.9	354	5.2	132	2.2	57	1.7	44	3.9	100	4.8	122	2.3	58	1.7	44	1.2	30

ENDURANCE

ENGINEERED TO LAST.

ENDURANCE

Hunting is serious business. If your optics haven't been specifically designed with hunting in mind, can you trust them when the time comes to take the shot? The Endurance line of scopes feature chassis and reticle designs that have been explicitly engineered for everything from varmint to big game hunting.

Endurance scopes are available in either a 1 inch or 30mm mono-tube chassis. The 1 inch LER models boast exceptional eye relief in excess of 4.5 inches, ensuring safety and mounting flexibility on even the highest recoiling firearms. The 30mm chassis is available in either a fixed 100 yard parallax or a side focus model. All 30mm models use a coil erector spring, maximizing internal stability.

The Endurance family also showcases unique ballistic reticle designs. The Marksman reticle takes advantage of the shared ballistic profile of the popular .223 and .308 varmint and big game rounds to deliver out-of-the-box accuracy in a 700 yard reticle.

The Slug Gun SR reticle, designed primarily for shotgun slugs and muzzleloader sabots, offers customization to the ballistic profile of your shotgun or muzzleloader. Additionally, the reticle offers compatibility with popular straight-walled rifle cartridges like the .500 S&W, .44 Mag, .35 Remington, and more.



SIDE FOCUS PARALLAX WHEEL

A patented attachment design lets you connect an oversized side wheel to correct parallax errors with ease and precision (SF models only).

FULLY MULTI-COATED LENSES

Every Endurance rifle scope features 16 layer fully multi-coated lenses to maximize light transmission. This results in a brighter image with higher contrast.



STEPLESS ILLUMINATION RHEOSTAT

Our new stepless illumination control allows for infinite adjustment, ensuring your reticle is perfect in every light condition.

LOW-PROFILE FINGERTIP TURRETS

Low profile 'no-snap' fingertip turrets with caps are precision engineered to deliver consistent and repeatable 1/4 inch adjustments.



HIGH TORQUE ZOOM RING

The rubber coated zoom ring has been ergonomically designed for precision and ease of use. High torque ensures your mag. does not change during high recoil.

FAST FOCUS OCULAR ADJUSTMENT

Scope set-up and reticle sharpness have never been easier. The ocular is covered by a rubber safety ring which quickly adjusts to find the perfect setting.





ENDURANCE 30 SF

Red IR | 30mm | SF | Waterproof



FEATURES

- 16 layer fully multi-coated optics for exceptional clarity
- Side focus control for parallax adjustment to infinity
- 30mm mono-tube chassis for superior strength
- Glass etched reticle with red illumination
- Stepless rheostat offers total brightness control
- ¼ MOA low profile 'no-snag' fingertip turrets
- Fast focus eyepiece and high torque zoom ring
- Includes screw-in metal flip-up covers
- Nitrogen purged – water, shock and fog proof
- Hawke lifetime warranty



16 250
4-16x50 SF
30mm Tube
LR Dot
£349.99



16 251
4-16x50 SF
30mm Tube
.223/.308 Marksman
£369.99



16 252
4-16x50 SF
30mm Tube
Mil Dot Centre Dot
£349.99



16 260
6-24x50 SF
30mm Tube
LR Dot
£369.99



“I felt like a shooting pro when I was using the Hawke Endurance 30 4-16x50 SF riflescope on a prairie dog shoot in Montana this past summer. The clarity and magnification made it easy to stay on small targets at 300 and 400 yards.”

Mark Olis // Editor of Predator Xtreme Magazine



16 261

6-24x50 SF

30mm Tube

.223/.308 Marksman

£389.99



16 262

6-24x50 SF

30mm Tube

Mil Dot Centre Dot

£369.99

> MORE RETICLE INFORMATION ON PAGE 24

SUPPLIED WITH

- + 1.5 inch wheel
- + CR2032 battery
- + 4 inch sunshade
- + Lens cloth
- + Flip-up covers



ENDURANCE 30

Red IR | 30mm | Waterproof



FEATURES

16 layer fully multi-coated optics for exceptional clarity
 30mm mono-tube chassis for superior strength
 Glass etched reticle with red illumination
 Stepless rheostat offers total brightness control
 ¼ MOA low profile 'no-snag' fingertip turrets
 Fast focus eyepiece and high torque zoom ring
 Includes screw-in metal flip-up covers
 Nitrogen purged – water, shock and fog proof
 Hawke lifetime warranty



16 200

1-4x24

30mm Tube

L4A Dot

£319.99



16 210

1.5-6x44

30mm Tube

L4A Dot

£329.99



16 211

1.5-6x44

30mm Tube

30/30 Centre Cross

£329.99



16 220

2.5-10x50

30mm Tube

LR Dot

£339.99



16 221

2.5-10x50

30mm Tube

30/30 Centre Cross

£339.99



16 230

3-12x56

30mm Tube

LR Dot

£349.99



16 240

8x56

30mm Tube

LR Dot

£249.99

> MORE RETICLE INFORMATION ON PAGE 24

SUPPLIED WITH

- + 4 inch sunshade* + Lens cloth
- + Flip-up covers
- + CR2032 battery

* Excludes 1-4x24 model.



ENDURANCE SF

Red IR | 1 Inch | SF | Waterproof

FEATURES

- 16 layer fully multi-coated optics for exceptional clarity
- Side focus control for parallax adjustment to infinity
- 1 inch mono-tube chassis for superior strength
- Glass etched reticle with red illumination
- Stepless rheostat offers total brightness control
- ¼ MOA low profile 'no-sag' fingertip turrets
- Fast focus eyepiece and high torque zoom ring
- Threaded objective/ocular for optional accessories
- Nitrogen purged – water, shock and fog proof
- Hawke lifetime warranty



> MORE RETICLE INFORMATION ON PAGE 24

SUPPLIED WITH

- + Lens covers
- + CR2032 battery
- + Lens cloth



16 150
5-15x50 SF
1 Inch Tube
LR Dot
£259.99



16 151
5-15x50 SF
1 Inch Tube
10x Half Mil Dot
£259.99



16 160
6-18x50 SF
1 Inch Tube
.223/.308 Marksman
£289.99



16 161
6-18x50 SF
1 Inch Tube
10x Half Mil Dot
£289.99





ENDURANCE LER

Red IR | 1 Inch | Waterproof



FEATURES

16 layer fully multi-coated optics for exceptional clarity
 Long eye relief for high recoil/magnum calibres
 1 inch mono-tube chassis for superior strength
 Glass etched reticle with red illumination
 Stepless rheostat offers total brightness control
 ¼ MOA low profile 'no-sag' fingertip turrets
 Fast focus eyepiece and high torque zoom ring
 Threaded objective/ocular for optional accessories
 Nitrogen purged – water, shock and fog proof
 Hawke lifetime warranty



16 100

2-7x32

1 Inch Tube

30/30 Centre Cross

£179.99



16 110

3-9x40

1 Inch Tube

30/30 Centre Cross

£189.99



16 111

3-9x40

1 Inch Tube

.223/.308 Marksman

£209.99



16 120

4-12x42

1 Inch Tube

30/30 Centre Cross

£209.99



“We’ve used a lot of optics over the years, Hawke stands up to any of them, and the value can’t be questioned.”

Jon Brunson // Host of Addicted to the Outdoors



16 121

4-12x42

1 Inch Tube

LR Dot

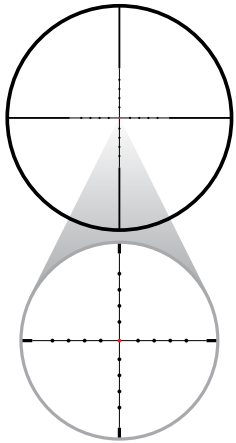
£209.99

> MORE RETICLE INFORMATION ON PAGE 24

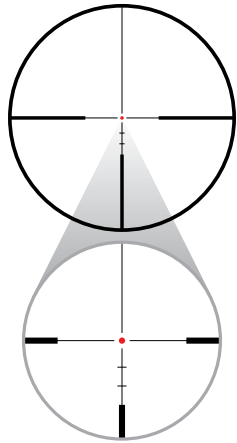
SUPPLIED WITH

- + Lens covers
- + CR2032 battery
- + Lens cloth

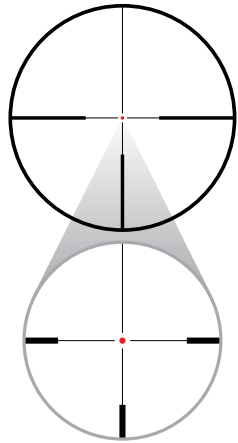
ENDURANCE RETICLES



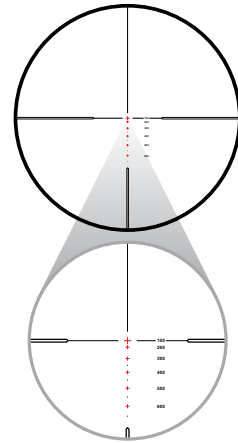
MIL DOT CENTRE DOT
(RED)



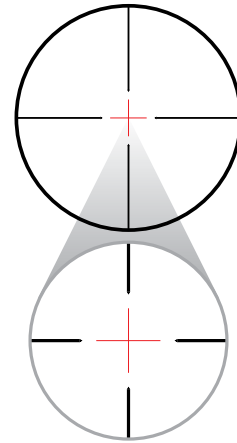
LR DOT
(RED)



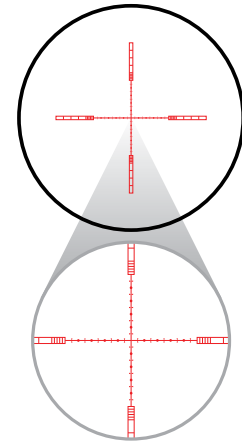
L4A DOT
(RED)



.223/.308 MARKSMAN
(RED)



30/30 CENTRE CROSS
(RED)



10x HALF MIL DOT
(RED)

MIL DOT CENTRE DOT

This glass etched reticle offers all the aim points and range finding capabilities of the standard Mil Dot, but with an illuminated central aim point.

LR DOT

Uses common ballistic profiles of rounds such as the .30/06, 7mm magnum and .300 magnum to create a reticle that matches rounds in the .30 caliber family.

L4A DOT

A variant of the classic L4 reticle design, the L4A Dot uses a more open outer post design to keep more of the target visible while aiming.

.223/.308 MARKSMAN

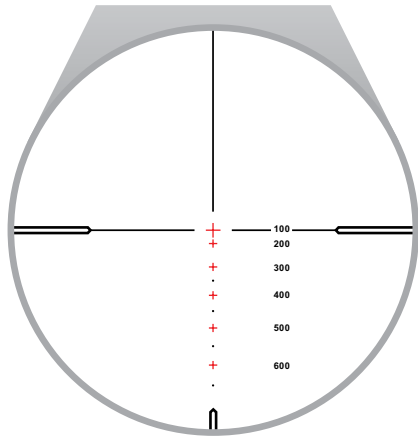
X-ACT reticle. See page 72. Matches the ballistics of most .223 and .308 ammo. Crosses at 100 yard intervals out to 600 yards with 50 yard dots. 2790 fps.

30/30 CENTRE CROSS

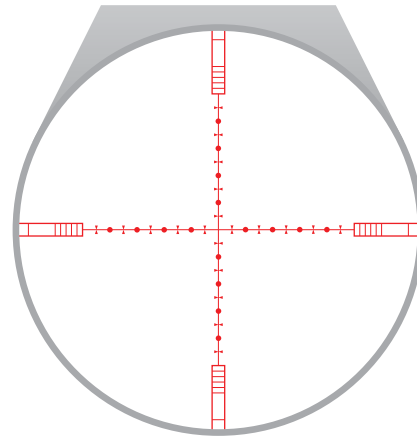
The glass etched crosshairs represent an area of 30 inches across on 4x mag. at 100 yards. Red illumination keeps the reticle visible in dark cover.

10x HALF MIL DOT

Accurate mil spacing on 10x. Features dots and ties at half mil spacing, ensuring that there is always an aim point available. Glass etched fully floating design.



.223/.308 MARKSMAN



10x HALF MIL DOT

ADDITIONAL INFORMATION

.223/.308 Marksman reticles are designed to be accurate when the scope in use is adjusted to the maximum magnification. The prominent centre cross is used as the 100 yard zero. Once zeroed, the remaining hold-over aim points, out to 600 yards, fall into place.

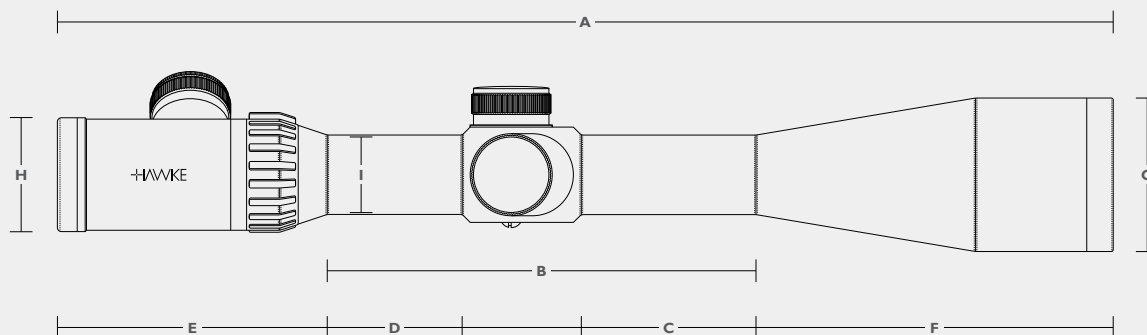
Even the 100 yard markers are glass etched for your reference. Hawke has carried out the complicated ballistic math, so you don't have to!

ADDITIONAL INFORMATION

One of the additional benefits of the 10x Half Mil Dot is the mil spacing and 0.2 mil spacing segments of the hollow bars which can be used to accurately range find targets. Full details on calculating can be found in the range find section of the free X-ACT software.



Code	Model	Field of View		Eye Relief		PX/Focus		Turrets	Weight		A		B		C		D		E		F		G		H		I	
		ft @100yds	m @100m	in	mm	yds	m		max. MOA	oz	g	in	mm	in	mm	in	mm	in	mm	in	mm	in	mm	in	mm	in	mm	in
16 250	4-16x50 SF	23-6.5	7.7-2.2	4	102	10-∞	9-∞	80	24.4	692	14	356	5.8	147	2.1	53	2	51	3.8	97	4.4	112	2.3	58	1.7	44	1.2	30
16 251	4-16x50 SF	23-6.5	7.7-2.2	4	102	10-∞	9-∞	80	24.4	692	14	356	5.8	147	2.1	53	2	51	3.8	97	4.4	112	2.3	58	1.7	44	1.2	30
16 252	4-16x50 SF	23-6.5	7.7-2.2	4	102	10-∞	9-∞	80	24.4	692	14	356	5.8	147	2.1	53	2	51	3.8	97	4.4	112	2.3	58	1.7	44	1.2	30
16 260	6-24x50 SF	17.3-4.5	5.8-1.5	4	102	10-∞	9-∞	65	25.2	715	15.6	396	6.5	164	2.6	66	2	51	3.8	97	5.3	135	2.3	58	1.7	44	1.2	30
16 261	6-24x50 SF	17.3-4.5	5.8-1.5	4	102	10-∞	9-∞	65	25.2	715	15.6	396	6.5	164	2.6	66	2	51	3.8	97	5.3	135	2.3	58	1.7	44	1.2	30
16 262	6-24x50 SF	17.3-4.5	5.8-1.5	4	102	10-∞	9-∞	65	25.2	715	15.6	396	6.5	164	2.6	66	2	51	3.8	97	5.3	135	2.3	58	1.7	44	1.2	30
16 200	1-4x24	100-25.1	33.3-8.4	4	102	100	91	120	16.6	471	10.6	269	6.8	172	3.6	91	1.7	43	3.8	97	-	-	1.2	30	1.7	44	1.2	30
16 210	1.5-6x44	64.1-16.2	21.4-5.4	4	102	100	91	150	20.2	572	11.9	302	4.7	119	1.6	41	1.7	43	3.8	97	3.4	86	2	51	1.7	44	1.2	30
16 211	1.5-6x44	64.1-16.2	21.4-5.4	4	102	100	91	150	20.2	572	11.9	302	4.7	119	1.6	41	1.7	43	3.8	97	3.4	86	2	51	1.7	44	1.2	30
16 220	2.5-10x50	37.2-9.4	12.4-3.1	4	102	100	91	135	22.5	638	13.4	340	5.2	131	2	51	1.8	46	3.8	97	4.4	112	2.3	58	1.7	44	1.2	30
16 221	2.5-10x50	37.2-9.4	12.4-3.1	4	102	100	91	135	22.5	638	13.4	340	5.2	131	2	51	1.8	46	3.8	97	4.4	112	2.3	58	1.7	44	1.2	30
16 230	3-12x56	32.4-8.3	10.8-2.8	4	102	100	91	105	23.2	659	14	356	5.2	132	2	51	1.8	46	3.8	97	5	127	2.5	64	1.7	44	1.2	30
16 240	8x56	13	4.3	4	102	100	91	120	21.9	620	14.1	359	5.9	150	2.2	55	2.4	60	3.3	84	4.9	125	2.5	64	1.7	44	1.2	30



Code	Model	Field of View		Eye Relief		PX/Focus		Turrets	Weight		A		B		C		D		E		F		G		H		I	
		ft @100yds	m @100m	in	mm	yds	m		max. MOA	oz	g	in	mm	in	mm	in	mm	in	mm	in	mm	in	mm	in	mm	in	mm	in
16 150	5-15x50 SF	20.8-6.8	6.9-2.3	4	102	10-∞	9-∞	68	22.1	626	12.9	328	4.8	122	1.5	38	1.3	34	3.8	96	4.3	110	2.2	57	1.7	44	1	25.4
16 151	5-15x50 SF	20.8-6.8	6.9-2.3	4	102	10-∞	9-∞	68	22.1	626	12.9	328	4.8	122	1.5	38	1.3	34	3.8	96	4.3	110	2.2	57	1.7	44	1	25.4
16 160	6-18x50 SF	17.3-5.7	5.8-1.9	4	102	10-∞	9-∞	56	22.3	632	13.8	350	5.7	144	2.4	60	1.3	34	3.8	96	4.3	110	2.2	57	1.7	44	1	25.4
16 161	6-18x50 SF	17.3-5.7	5.8-1.9	4	102	10-∞	9-∞	56	22.3	632	13.8	350	5.7	144	2.4	60	1.3	34	3.8	96	4.3	110	2.2	57	1.7	44	1	25.4
16 100	2-7x32	37.8-12.6	12.6-4.2	4.5	114	100	91	160	15.8	448	11.1	282	4.7	120	1.7	42	1.7	43	3.8	97	2.6	65	1.5	39	1.7	44	1	25.4
16 110	3-9x40	29.1-9.6	9.7-3.2	4.5	114	100	91	80	17	482	12.1	307	4.8	121	1.6	41	1.7	43	3.8	97	3.5	89	1.9	48	1.7	44	1	25.4
16 111	3-9x40	29.1-9.6	9.7-3.2	4.5	114	100	91	80	17	482	12.1	307	4.8	121	1.6	41	1.7	43	3.8	97	3.5	89	1.9	48	1.7	44	1	25.4
16 120	4-12x42	23.1-7.5	7.7-2.5	4.5	114	100	91	75	18	510	12.8	325	5	126	1.9	48	1.7	43	3.8	97	4	102	1.9	48	1.7	44	1	25.4
16 121	4-12x42	23.1-7.5	7.7-2.5	4.5	114	100	91	75	18	510	12.8	325	5	126	1.9	48	1.7	43	3.8	97	4	102	1.9	48	1.7	44	1	25.4



PANORAMA

YOU CAN'T SHOOT WHAT YOU CAN'T SEE.
NOW YOU CAN SEE IT ALL.

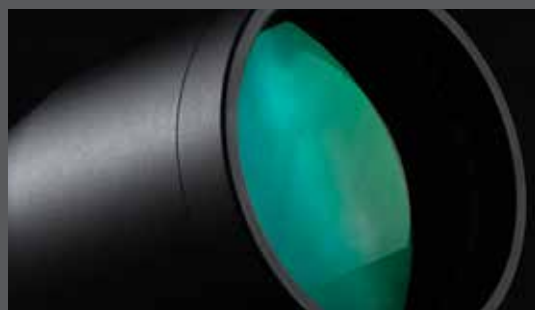


PANORAMA

The performance and design that make the Endurance scopes so popular is mirrored in the Panorama riflescope family. A compact turret design and an inset rubber magnification ring keep the profile of the scope minimal, while maintaining functionality.

Where the Panorama stands apart is in the way the optical system has been designed to maximize your field of view. Panorama scopes offer a wider field of view than the Endurance range. The optical system is fully multi-coated with 16 layers, maximizing light transmission and clarity, while also delivering the wider field of view that is so important when you're in the field.

The 10x Half Mil Dot reticle in the Panorama line, and the adjustable objective feature (AO models only) make it a natural choice for varmint hunters and airgun shooters, while the additional field of view makes keeping skittish targets in view easier than ever.



ADJUSTABLE OBJECTIVE

For accurate focus and the elimination of parallax error, the integrated adjustable objective (AO models) operates with precision and is quick to use.

FULLY MULTI-COATED LENSES

The Panorama has been expertly designed to offer a wide high resolution view. With 16 layer fully multi-coated lenses, image reproduction is bright and sharp.



LOW-PROFILE FINGERTIP TURRETS

The low profile turrets operate with repeatable accuracy and have 15 MOA of adjustment for each rotation. Once on target the scale can be reset.

PRECISION ENGINEERED CONSTRUCTION

Panorama riflescopes use 1 inch mono-tube construction and a high torque zoom ring with an integrated rubber insert.



PANORAMA

Red/Blue IR | 1 Inch | Waterproof

FEATURES

- 16 layer fully multi-coated optics for exceptional clarity
- Wide view optical system ideal for varmint/airgun
- Glass etched reticle with red and blue illumination
- Rheostat on saddle offers 5 levels of brightness
- Integrated adjustable objective ring (AO models)
- 1 inch mono-tube chassis for superior strength
- ¼ MOA low profile 'no-snag' fingertip turrets
- Fast focus eyepiece and high torque zoom ring
- Threaded objective/ocular for optional accessories
- Nitrogen purged – water, shock and fog proof
- Hawke lifetime warranty



> MORE RETICLE INFORMATION ON PAGE 32

SUPPLIED WITH

- + Lens covers
- + CR2032 battery
- + Lens cloth



15 100
2-7x32
1 Inch Tube
10x Half Mil Dot
£159.99



15 110
3-9x40
1 Inch Tube
10x Half Mil Dot
£169.99



15 111
3-9x40 AO
1 Inch Tube
10x Half Mil Dot
£179.99



15 120
4-12x40
1 Inch Tube
10x Half Mil Dot
£179.99



15 121

4-12x40 AO

1 Inch Tube

10x Half Mil Dot

£189.99



15 130

4-12x50

1 Inch Tube

10x Half Mil Dot

£189.99



15 131

4-12x50 AO

1 Inch Tube

10x Half Mil Dot

£199.99



15 140

5-15x50 AO

1 Inch Tube

10x Half Mil Dot

£219.99



15 150

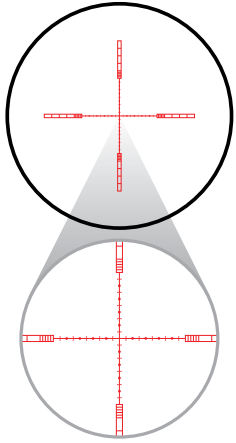
6-18x50 AO

1 Inch Tube

10x Half Mil Dot

£229.99

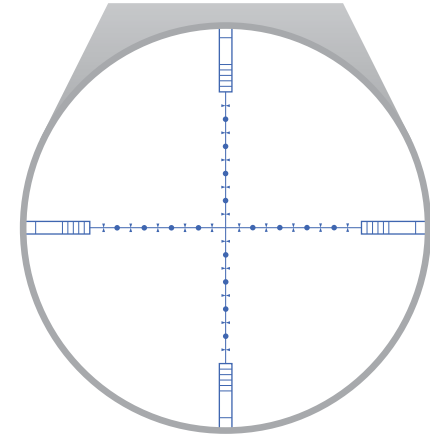
PANORAMA RETICLES



10x HALF MIL DOT
(RED/BLUE)

10x HALF MIL DOT

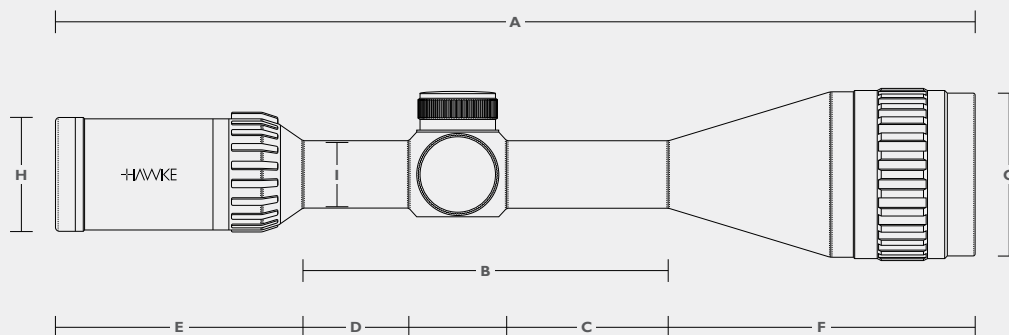
Accurate mil spacing on 10x. Features dots and ties at half mil spacing, ensuring that there is always an aim point available. Glass etched fully floating reticle.



10x HALF MIL DOT

ADDITIONAL INFORMATION

One of the additional benefits of the 10x Half Mil Dot is the mil spacing and 0.2 mil spacing segments of the hollow bars which can be used to accurately range find targets. Full details on calculating can be found in the range find section of the free X-ACT software.



Code	Model	Field of View		Eye Relief		PX/Focus		Turrets	Weight		A		B		C		D		E		F		G		H		I	
		ft @100yds	m @100m	in	mm	yds	m		max. MOA	oz	g	in	mm	in	mm	in	mm	in	mm	in	mm	in	mm	in	mm	in	mm	in
15 100	2-7x32	52.5-18.9	17.5-6.3	3.5	90	100	91	110	15.7	444	10.5	267	4.3	108	1.3	33	1.6	40	3.7	95	2.5	64	1.5	39	1.7	44	1	25.4
15 110	3-9x40	37.2-13.6	12.4-4.5	3.5	90	100	91	80	16.9	478	12	304	4.6	118	1.7	43	1.6	40	3.7	95	3.6	91	1.9	47	1.7	44	1	25.4
15 111	3-9x40 AO	37.2-13.6	12.4-4.5	3.5	90	10-∞	9-∞	80	19	539	12.2	310	4.5	114	1.5	39	1.6	40	3.7	95	4	101	2.1	54	1.7	44	1	25.4
15 120	4-12x40	29.9-11	10-3.7	3.5	90	100	91	70	16.9	478	12.6	320	5	127	2	52	1.6	40	3.7	95	3.9	98	1.9	47	1.7	44	1	25.4
15 121	4-12x40 AO	29.9-11	10-3.7	3.5	90	10-∞	9-∞	70	19.1	542	12.9	327	4.6	118	1.7	43	1.6	40	3.7	95	4.5	114	2.1	54	1.7	44	1	25.4
15 130	4-12x50	29.9-11	10-3.7	3.5	90	100	91	95	19.3	547	12.6	321	4.6	116	1.6	41	1.6	40	3.7	95	4.3	110	2.2	57	1.7	44	1	25.4
15 131	4-12x50 AO	29.9-11	10-3.7	3.5	90	10-∞	9-∞	95	22.6	640	13	329	4.6	118	1.7	43	1.6	40	3.7	95	4.6	116	2.5	63	1.7	44	1	25.4
15 140	5-15x50 AO	23.6-8.7	7.9-2.9	3.5	90	10-∞	9-∞	60	22.2	629	13.7	347	5.4	136	2.4	61	1.6	40	3.7	95	4.6	116	2.5	63	1.7	44	1	25.4
15 150	6-18x50 AO	19.9-7.5	6.6-2.5	3.5	90	10-∞	9-∞	54	22.6	642	14.8	377	5.7	144	2.7	69	1.6	40	3.7	95	5.4	138	2.5	63	1.7	44	1	25.4



VANTAGE

A NEW PERSPECTIVE ON PERFORMANCE
AND VALUE.



VANTAGE

Simplicity is underrated. Sometimes there is no need for bells and whistles. When you need a solid product to do the job you can rely on Vantage scopes to deliver time after time.

Vantage brings functionality and performance in the field without cutting corners on the things that matter.

Selected models feature parallax adjustment. Adjustable objective (AO) models allow you to correct parallax error down to 10 yards. Side focus (SF) models have the parallax adjustment positioned within easy reach on the saddle.

Available illuminated or non-illuminated, Vantage scopes feature a mono-tube chassis to provide stability and durability even with magnum recoil. A mix of X-ACT ballistic and standard reticle options mean Vantage scopes are at home in almost any environment and with virtually any firearm.

Versatile, affordable, exceptional. Vantage from Hawke is redefining value in optics.



ILLUMINATION RHEOSTAT

Every Vantage IR model features dual red and green illumination with 5 brightness settings, allowing reticle visibility to be maximized in dark cover and brush.

FULLY MULTI-COATED LENSES

The Vantage range features 11 layer fully multi-coated lenses throughout the entire optical system for enhanced light transmission and increased contrast.



ADJUSTABLE OBJECTIVE

Models with an adjustable objective allow parallax free accuracy and the focus to be adjusted from 10 yards to infinity – perfect for close range shooting.

LOW-PROFILE FINGERTIP TURRETS

Positive click low profile turrets with 1/4 MOA adjustments. Protective caps ensure your turrets are safe from the elements when you're in the field.



SIDE FOCUS AND ILLUMINATION (SF IR MODELS)

With the illumination rheostat integrated into the side focus mechanism, all controls are easy to operate and conveniently right at your fingertips.

SIDE FOCUS PARALLAX (SF MODELS)

Smooth and precise, side focus scopes adjust from 10 yards (3-12x44) / 15 yards (4-16x44 & 6-24x44) to infinity ensuring parallax free focus is always maintained.



VANTAGE 30 IR

Red/Green IR | 30mm | Waterproof

FEATURES

- 11 layer fully multi-coated optics for excellent clarity
- 30mm mono-tube chassis for superior strength
- Glass etched reticle with red and green illumination
- Rheostat on saddle offers 5 levels of brightness
- ¼ MOA low profile 'no-snag' fingertip turrets
- Fast focus eyepiece and high torque zoom ring
- Threaded objective/ocular for optional accessories
- Nitrogen purged – water, shock and fog proof
- Hawke lifetime warranty



> MORE RETICLE INFORMATION ON PAGE 52

SUPPLIED WITH

- + Lens covers
- + CR2032 battery
- + Lens cloth



14 271

3-12x50

30mm Tube

L4A Dot

£229.99



14 272

2.5-10x56

30mm Tube

L4A Dot

£249.99



VANTAGE SF IR

Red/Green IR | 1 Inch | SF | Waterproof

FEATURES

- 11 layer fully multi-coated optics for maximum clarity
- Side focus control for parallax adjustment to infinity
- 1 inch mono-tube chassis for superior strength
- Glass etched reticle with red and green illumination
- Rheostat on saddle offers 5 levels of brightness
- ¼ MOA low profile 'no-snag' fingertip turrets
- Fast focus eyepiece and high torque zoom ring
- Threaded objective/ocular for optional accessories
- Nitrogen purged – water, shock and fog proof
- Hawke lifetime warranty

➤ MORE RETICLE INFORMATION ON PAGE 52

SUPPLIED WITH

- + Lens covers
- + CR2032 battery
- + Lens cloth



14 290

3-12x50 SF

1 Inch Tube

10x Half Mil Dot

£229.99



14 291

4-16x50 SF

1 Inch Tube

10x Half Mil Dot

£249.99



14 292

6-24x50 SF

1 Inch Tube

10x Half Mil Dot

£269.99



VANTAGE MAX IR

Red/Green IR | 1 Inch | Waterproof



FEATURES

- 11 layer fully multi-coated optics for excellent clarity
- Wide view optical system ideal for varmint/airgun
- Adjustable objective for parallax correction
- 1 inch mono-tube chassis for superior strength
- Glass etched reticle with red and green illumination
- Rheostat on saddle offers 5 levels of brightness
- ¼ MOA low profile 'no-sag' fingertip turrets
- Fast focus eyepiece and high torque zoom ring
- Threaded objective/ocular for optional accessories
- Nitrogen purged – water, shock and fog proof
- Hawke lifetime warranty



14 281
3-9x40 AO
1 Inch Tube
10x Half Mil Dot
£139.99



14 283
3-9x50 AO
1 Inch Tube
10x Half Mil Dot
£149.99



14 285
4-12x40 AO
1 Inch Tube
10x Half Mil Dot
£159.99



14 287
4-12x50 AO
1 Inch Tube
10x Half Mil Dot
£169.99



NEW



I4 289

4.5-14x50 AO

1 Inch Tube

10x Half Mil Dot

£189.99

> MORE RETICLE INFORMATION ON PAGE 52

SUPPLIED WITH

- + Lens covers
- + CR2032 battery
- + Lens cloth



VANTAGE IR

Red/Green IR | 1 Inch | Waterproof

FEATURES

- 11 layer fully multi-coated optics for excellent clarity
- Adjustable objective for parallax correction (AO models)
- 1 inch mono-tube chassis for superior strength
- Glass etched reticle with red and green illumination
- Rheostat on saddle offers 5 levels of brightness
- ¼ MOA low profile 'no-sag' fingertip turrets
- Fast focus eyepiece and high torque zoom ring
- Threaded objective/ocular for optional accessories
- Nitrogen purged – water, shock and fog proof
- Hawke lifetime warranty



> MORE RETICLE INFORMATION ON PAGE 52

SUPPLIED WITH

- + Lens covers
- + CR2032 battery
- + Lens cloth



14 210
2-7x32
1 Inch Tube
30/30 Centre Cross
£89.99



14 211
2-7x32 AO
1 Inch Tube
Mil Dot Centre
£99.99



14 220
3-9x40
1 Inch Tube
30/30 Centre Cross
£99.99



14 221
3-9x40
1 Inch Tube
Mil Dot Centre
£99.99



14 222

3-9x40

1 Inch Tube

Rimfire .22 LR HV

£109.99



14 223

3-9x40

1 Inch Tube

Rimfire .22 LR Subsonic

£109.99



14 224

3-9x40

1 Inch Tube

Rimfire .17 Mach 2

£109.99



14 225

3-9x40 AO

1 Inch Tube

Mil Dot Centre

£109.99



14 230

3-9x50

1 Inch Tube

Mil Dot Centre

£109.99



14 231

3-9x50

1 Inch Tube

Rimfire .22 LR Subsonic

£119.99

VANTAGE IR

Red/Green IR | 1 Inch | Waterproof



14 232

3-9x50 AO

1 Inch Tube

Mil Dot Centre

£119.99



14 240

4-12x40

1 Inch Tube

30/30 Centre Cross

£119.99



14 241

4-12x40 AO

1 Inch Tube

Rimfire .17 HMR

£139.99



14 242

4-12x40 AO

1 Inch Tube

Rimfire .22 WMR

£139.99



14 250

4-12x50

1 Inch Tube

Mil Dot Centre

£129.99



14 251

4-12x50

1 Inch Tube

Rimfire .22 LR Subsonic










£139.99



“Hawke is a rare blend of quality, versatility and affordability. I know I can trust Hawke to perform flawlessly every time.”

Daniel E. Schmidt // Editor of Deer & Deer Hunting



					
					
14 254	14 252	14 253	14 260	14 261	14 265
4-12x50	4-12x50 AO	4-12x50 AO	4-16x50 AO	4-16x50 AO	6-24x50 AO
1 Inch Tube	1 Inch Tube	1 Inch Tube	1 Inch Tube	1 Inch Tube	1 Inch Tube
L4A Dot	Mil Dot Centre	Rimfire .17 HMR	Mil Dot Centre	Rimfire .17 HMR	Mil Dot Centre
£139.99	£139.99	£149.99	£159.99	£169.99	£169.99



VANTAGE SF

1 Inch | SF | Waterproof

FEATURES

- 11 layer fully multi-coated optics for maximum clarity
- Side focus control for parallax adjustment to infinity
- 1 inch mono-tube chassis for superior strength
- 1/4 MOA low profile 'no-sag' fingertip turrets
- Fast focus eyepiece and high torque zoom ring
- Threaded objective/ocular for optional accessories
- Nitrogen purged – water, shock and fog proof
- Hawke lifetime warranty



> MORE RETICLE INFORMATION ON PAGE 52

SUPPLIED WITH

- + Lens covers
- + Lens cloth



14 160
 3-12x44 SF
 1 Inch Tube
 Half Mil Dot
 £189.99



14 161
 4-16x44 SF
 1 Inch Tube
 Half Mil Dot
 £199.99



14 162
 6-24x44 SF
 1 Inch Tube
 Half Mil Dot
 £209.99





VANTAGE MAX

1 Inch | Waterproof



FEATURES

- 11 layer fully multi-coated optics for excellent clarity
- Wide view optical system ideal for varmint/airgun
- Adjustable objective for parallax correction
- 1 inch mono-tube chassis for superior strength
- ¼ MOA low profile 'no-snap' fingertip turrets
- Fast focus eyepiece and high torque zoom ring
- Threaded objective/ocular for optional accessories
- Nitrogen purged – water, shock and fog proof
- Hawke lifetime warranty



14 181
3-9x40 AO
1 Inch Tube
Half Mil Dot
£99.99



14 183
3-9x50 AO
1 Inch Tube
Half Mil Dot
£109.99



14 185
4-12x40 AO
1 Inch Tube
Half Mil Dot
£119.99



14 187
4-12x50 AO
1 Inch Tube
Half Mil Dot
£129.99



NEW



14 189

4.5-14x50 AO

1 Inch Tube

Half Mil Dot

£149.99

> MORE RETICLE INFORMATION ON PAGE 52

SUPPLIED WITH

+ Lens covers

+ Lens cloth



VANTAGE

1 Inch | Waterproof

FEATURES

- 11 layer fully multi-coated optics for excellent clarity
- Adjustable objective for parallax correction (AO models)
- 1 inch mono-tube chassis for superior strength
- 1/4 MOA low profile 'no-sag' fingertip turrets
- Fast focus eyeball and high torque zoom ring
- Threaded objective/ocular for optional accessories
- Nitrogen purged – water, shock and fog proof
- Hawke lifetime warranty



> MORE RETICLE INFORMATION ON PAGE 52

SUPPLIED WITH

- + Lens covers
- + Lens cloth



14 100

4x32

1 Inch Tube

30/30 Duplex

£47.99



14 101

4x32

1 Inch Tube

Mil Dot

£47.99



14 102

4x32 AO

1 Inch Tube

Mil Dot

£55.99



14 110

2-7x32

1 Inch Tube

30/30 Duplex

£55.99



14 111
2-7x32 AO
1 Inch Tube
Mil Dot
£67.99



14 120
3-9x40
1 Inch Tube
30/30 Duplex
£67.99



14 121
3-9x40
1 Inch Tube
Mil Dot
£67.99



14 122
3-9x40 AO
1 Inch Tube
30/30 Duplex
£72.99



14 123
3-9x40 AO
1 Inch Tube
Mil Dot
£72.99



14 130
3-9x50
1 Inch Tube
30/30 Duplex
£72.99



VANTAGE

1 Inch | Waterproof



14 131

3-9x50

1 Inch Tube

Mil Dot

£72.99



14 132

3-9x50 AO

1 Inch Tube

30/30 Duplex

£78.99



14 133

3-9x50 AO

1 Inch Tube

Mil Dot

£78.99



14 140

4-12x40 AO

1 Inch Tube

30/30 Duplex

£89.99



14 141

4-12x40 AO

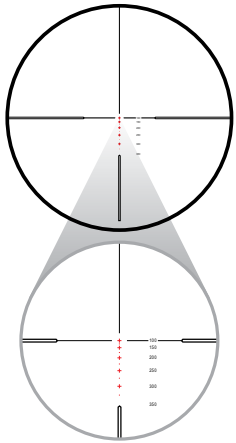
1 Inch Tube

Mil Dot

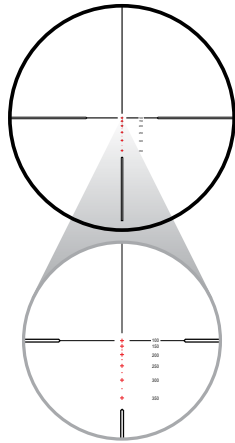
£89.99



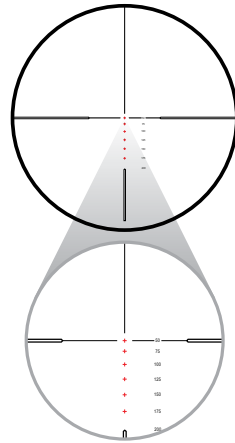
VANTAGE RETICLES



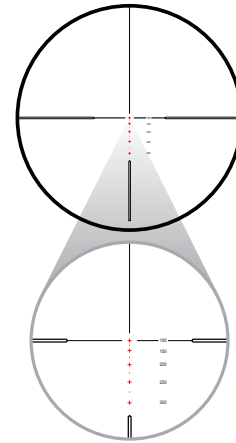
RIMFIRE .17 MACH 2
(RED/GREEN)



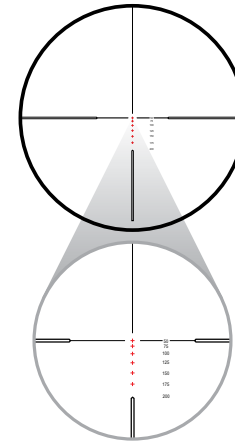
RIMFIRE .17 HMR
(RED/GREEN)



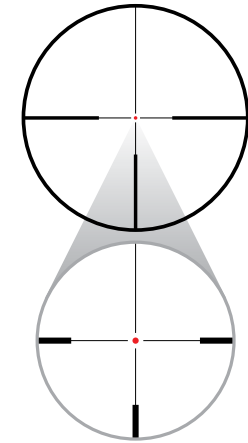
RIMFIRE .22 LR SUBSONIC
(RED/GREEN)



RIMFIRE .22 WMR
(RED/GREEN)



RIMFIRE .22 LR HV
(RED/GREEN)



L4A DOT
(RED/GREEN)

RIMFIRE .17 MACH 2

X-ACT reticle. See page 72. Designed for the .17 Mach 2 calibre. Zero on maximum mag. at 100 yards and all aim points are pre-calculated. 2100 fps.

RIMFIRE .17 HMR

X-ACT reticle. See page 72. Designed for the .17 HMR calibre. Zero on maximum mag. at 100 yards and all aim points are pre-calculated. 2550 fps.

RIMFIRE .22 LR SUBSONIC

X-ACT reticle. See page 72. Designed for the .22 LR Subsonic calibre. Zero on maximum mag. at 50 yards and all aim points are pre-calculated. 1057 fps.

RIMFIRE .22 WMR

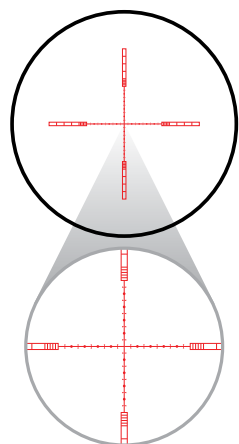
X-ACT reticle. See page 72. Designed for the .22 WMR calibre. Zero on maximum mag. at 100 yards and all aim points are pre-calculated. 2000 fps.

RIMFIRE .22 LR HV

X-ACT reticle. See page 72. Designed for the .22 LR HV calibre. Zero on maximum mag. at 50 yards and all aim points are pre-calculated. 1260 fps.

L4A DOT

A variant of the classic L4 reticle design, the L4A Dot uses a more open outer post design to keep more of the target visible while aiming.



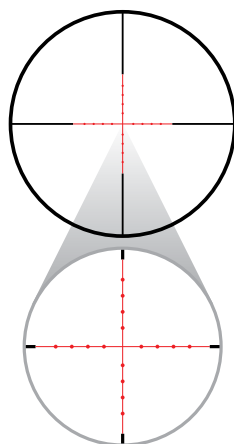
10x HALF MIL DOT
(RED/GREEN)

10x HALF MIL DOT

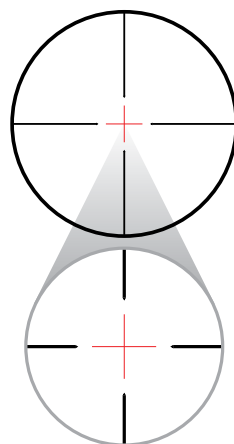
Accurate mil spacing on 10x. Features dots and ties at half mil spacing, ensuring that there is always an aim point available. Glass etched fully floating design.

MIL DOT CENTRE

Multiple aim points for hold over and hold under, allowing compensation for long and close range shots. Illumination keeps the reticle visible in dark cover.



MIL DOT CENTRE
(RED/GREEN)



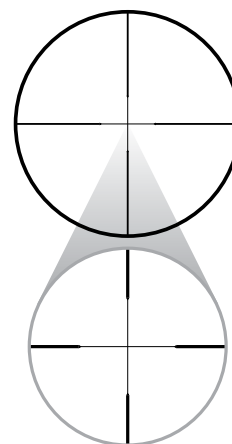
30/30 CENTRE CROSS
(RED/GREEN)

30/30 CENTRE CROSS

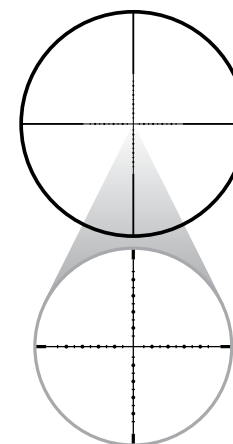
The glass etched crosshairs represent an area of 30 inches across on 4x mag. at 100 yards. Red illumination keeps the reticle visible in dark cover.

30/30 DUPLEX

Distance can be measured using the fine crosshairs, they represent an area of 30 inches across on 4x mag. at 100 yards. Great in most hunting situations.



30/30 DUPLEX



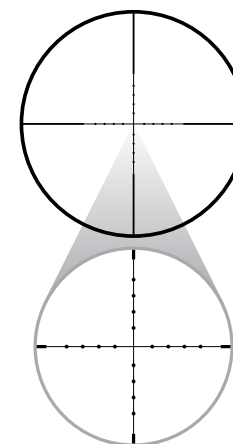
HALF MIL DOT

HALF MIL DOT

Designed to be exact at 10x. Multiple aim points for hold over and hold under. Between each dot is a dash for more choice when selecting an aim point.

MIL DOT

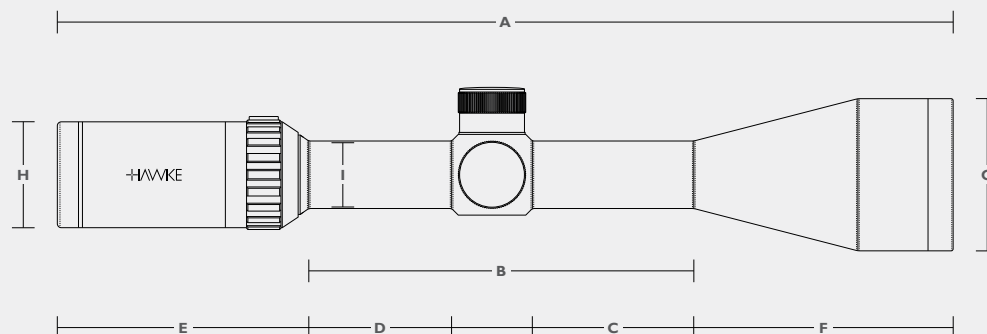
The classic Mil Dot features multiple aim points for hold over and hold under, allowing you to compensate for long and close range shots.



MIL DOT



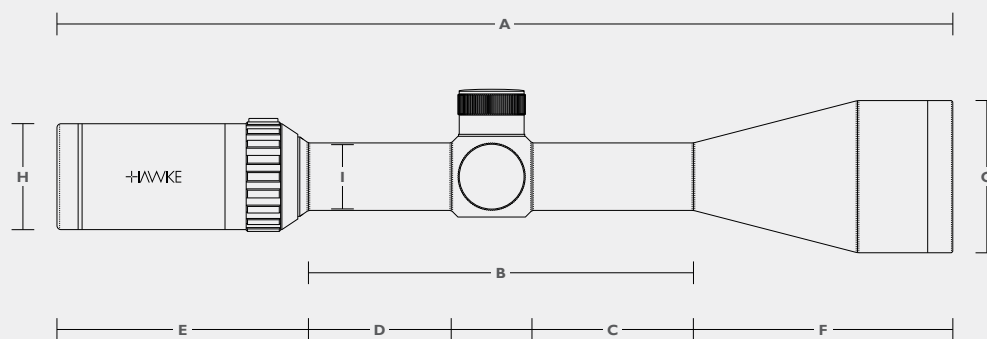
Code	Model	Field of View		Eye Relief		PX/Focus		Turrets	Weight		A		B		C		D		E		F		G		H		I	
		ft @100yds	m @100m	in	mm	yds	m		max. MOA	oz	g	in	mm	in	mm	in	mm	in	mm	in	mm	in	mm	in	mm	in	mm	in
14 271	3-12x50	31.5-7.9	10.5-2.6	3.5	90	100	91	80	23.1	655	14	356	6	152	2.7	69	1.9	48	3.7	95	4.3	109	2.3	58	1.7	44	1.2	30
14 272	2.5-10x56	42-10.5	14-3.5	3.5	90	100	91	100	24.8	704	13.6	345	5.4	137	2.1	53	1.9	48	3.7	95	4.4	113	2.5	64	1.7	44	1.2	30
14 290	3-12x50 SF	30.6-7.7	10.2-2.6	3.5	90	10-∞	9-∞	80	20.9	593	13.3	339	5.5	140	2	52	1.8	46	3.7	95	4.1	104	2.2	57	1.6	40	1	25.4
14 291	4-16x50 SF	22.9-5.8	7.6-1.9	3.5	90	15-∞	14-∞	45	21.4	607	13.9	354	5.7	145	2.3	58	1.8	46	3.7	95	4.5	114	2.2	57	1.6	40	1	25.4
14 292	6-24x50 SF	15.3-3.8	5.1-1.3	3.5	90	15-∞	14-∞	40	22	624	14.7	374	5.9	150	2.4	62	1.8	46	3.7	95	5.1	129	2.2	57	1.6	40	1	25.4
14 210	2-7x32	46.6-14.1	15.5-4.7	3.5	90	100	91	140	13.9	395	11.2	285	4.7	119	1.6	40	1.8	46	3.7	95	2.8	71	1.5	39	1.6	40	1	25.4
14 211	2-7x32 AO	46.6-14.1	15.5-4.7	3.5	90	10-∞	9-∞	140	15.9	450	11.5	292	4.5	114	1.4	35	1.8	46	3.7	95	3.3	83	1.9	47	1.6	40	1	25.4
14 220	3-9x40	39-12.7	13-4.2	3.5	90	100	91	100	15.2	430	12.4	315	5.3	134	2.2	55	1.8	46	3.7	95	3.4	86	1.9	47	1.6	40	1	25.4
14 221	3-9x40	39-12.7	13-4.2	3.5	90	100	91	100	15.2	430	12.4	315	5.3	134	2.2	55	1.8	46	3.7	95	3.4	86	1.9	47	1.6	40	1	25.4
14 222	3-9x40	39-12.7	13-4.2	3.5	90	75	69	100	15.2	430	12.4	315	5.3	134	2.2	55	1.8	46	3.7	95	3.4	86	1.9	47	1.6	40	1	25.4
14 223	3-9x40	39-12.7	13-4.2	3.5	90	75	69	100	15.2	430	12.4	315	5.3	134	2.2	55	1.8	46	3.7	95	3.4	86	1.9	47	1.6	40	1	25.4
14 224	3-9x40	39-12.7	13-4.2	3.5	90	75	69	100	15.2	430	12.4	315	5.3	134	2.2	55	1.8	46	3.7	95	3.4	86	1.9	47	1.6	40	1	25.4
14 225	3-9x40 AO	39-12.7	13-4.2	3.5	90	10-∞	9-∞	100	17.9	507	12.7	322	4.8	122	1.7	43	1.8	46	3.7	95	4.1	105	2.1	54	1.6	40	1	25.4
14 230	3-9x50	33.6-11	11.2-3.7	3.5	90	100	91	90	17.6	498	13.5	343	5.9	150	2.6	65	2	52	3.7	95	3.9	98	2.2	57	1.6	40	1	25.4
14 231	3-9x50	33.6-11	11.2-3.7	3.5	90	100	91	90	17.6	498	13.5	343	5.9	150	2.6	65	2	52	3.7	95	3.9	98	2.2	57	1.6	40	1	25.4
14 232	3-9x50 AO	33.6-11	11.2-3.7	3.5	90	10-∞	9-∞	90	21	595	13.8	351	5.6	142	2.2	57	2	52	3.7	95	4.5	114	2.5	64	1.6	40	1	25.4



Code	Model	Field of View		Eye Relief		PX/Focus		Turrets	Weight		A		B		C		D		E		F		G		H		I	
		ft @100yds	m @100m	in	mm	yds	m		max. MOA	oz	g	in	mm	in	mm	in	mm	in	mm	in	mm	in	mm	in	mm	in	mm	in
14 240	4-12x40	26.2-8.7	8.7-2.9	3.5	90	100	91	80	15.3	435	13.4	341	6.1	154	2.7	69	2	52	3.7	95	3.6	92	1.9	47	1.6	40	1	25.4
14 241	4-12x40 AO	26.2-8.7	8.7-2.9	3.5	90	10-∞	9-∞	80	18.1	513	13.6	346	5.7	146	2.4	61	2	52	3.7	95	4.1	105	2.1	54	1.6	40	1	25.4
14 242	4-12x40 AO	26.2-8.7	8.7-2.9	3.5	90	10-∞	9-∞	80	18.1	513	13.6	346	5.7	146	2.4	61	2	52	3.7	95	4.1	105	2.1	54	1.6	40	1	25.4
14 250	4-12x50	26.2-8.7	8.7-2.9	3.5	90	100	91	80	17.5	497	13.4	341	5.8	148	2.4	61	2.1	54	3.7	95	3.9	98	2.2	57	1.6	40	1	25.4
14 251	4-12x50	26.2-8.7	8.7-2.9	3.5	90	100	91	80	17.5	497	13.4	341	5.8	148	2.4	61	2.1	54	3.7	95	3.9	98	2.2	57	1.6	40	1	25.4
14 254	4-12x50	26.2-8.7	8.7-2.9	3.5	90	100	91	80	17.5	497	13.4	341	5.8	148	2.4	61	2.1	54	3.7	95	3.9	98	2.2	57	1.6	40	1	25.4
14 252	4-12x50 AO	26.2-8.7	8.7-2.9	3.5	90	10-∞	9-∞	90	21.2	600	13.7	349	5.5	140	2.1	54	2.1	53	3.7	95	4.5	114	2.5	64	1.6	40	1	25.4
14 253	4-12x50 AO	26.2-8.7	8.7-2.9	3.5	90	10-∞	9-∞	90	21.2	600	13.7	349	5.5	140	2.1	54	2.1	53	3.7	95	4.5	114	2.5	64	1.6	40	1	25.4
14 260	4-16x50 AO	23.6-6.2	7.9-2.1	3.5	90	15-∞	14-∞	80	21.9	620	15.3	388	5.7	146	2.6	65	1.9	48	3.7	95	5.8	147	2.5	64	1.6	40	1	25.4
14 261	4-16x50 AO	23.6-6.2	7.9-2.1	3.5	90	15-∞	14-∞	80	21.9	620	15.3	388	5.7	146	2.6	65	1.9	48	3.7	95	5.8	147	2.5	64	1.6	40	1	25.4
14 265	6-24x50 AO	15.1-4.2	5-1.4	3.5	90	15-∞	14-∞	60	22	625	15.6	395	6	153	2.8	72	1.9	48	3.7	95	5.8	147	2.5	64	1.6	40	1	25.4
14 281	3-9x40 AO	44.1-14.7	14.7-4.9	3.5	90	10-∞	9-∞	90	17	482	12.2	311	4.8	122	1.7	43	1.8	46	3.4	87	4	102	2	51	1.7	43	1	25.4
14 283	3-9x50 AO	44.1-14.7	14.7-4.9	3.5	90	10-∞	9-∞	90	19.3	547	12.3	312	4.6	116	1.5	37	1.8	46	3.4	87	4.3	109	2.4	61	1.7	43	1	25.4
14 285	4-12x40 AO	32.9-10.9	11-3.6	3.5	90	10-∞	9-∞	75	17.3	490	12.7	322	5.3	134	2.2	55	1.8	46	3.4	87	4	101	2	51	1.7	43	1	25.4
14 287	4-12x50 AO	32.9-10.9	11-3.6	3.5	90	10-∞	9-∞	75	19.6	556	12.8	324	5.1	129	2	50	1.8	46	3.4	87	4.3	108	2.4	61	1.7	43	1	25.4
14 289	4.5-14x50 AO	29.1-9.7	9.7-3.2	3.5	90	10-∞	9-∞	65	21	595	13.3	339	5.1	129	2	50	1.8	46	3.4	87	4.8	123	2.4	61	1.7	43	1	25.4



Code	Model	Field of View		Eye Relief		PX/Focus		Turrets	Weight		A		B		C		D		E		F		G		H		I	
		ft @100yds	m @100m	in	mm	yds	m		max. MOA	oz	g	in	mm	in	mm	in	mm	in	mm	in	mm	in	mm	in	mm	in	mm	in
14 160	3-12x44 SF	30.6-7.7	10.2-2.6	3.5	90	10-∞	9-∞	100	17.3	491	13.3	337	5.5	139	2.1	54	1.8	45	3.8	96	4	102	2	51	1.6	41	1	25.4
14 161	4-16x44 SF	22.9-5.8	7.6-1.9	3.5	90	15-∞	14-∞	65	17.8	505	13.5	342	5.5	139	2.1	54	1.8	45	3.8	96	4.2	107	2	51	1.6	41	1	25.4
14 162	6-24x44 SF	15.3-3.8	5.1-1.3	3.5	90	15-∞	14-∞	50	18.7	531	14.7	373	5.9	150	2.5	63	1.8	46	3.8	96	5	127	2	51	1.6	41	1	25.4
14 100	4x32	28.5	9.5	3.5	90	100	91	165	11.1	315	11.6	295	6	153	2.2	57	2.5	63	2.8	71	2.8	71	1.5	39	1.6	40	1	25.4
14 101	4x32	28.5	9.5	3.5	90	100	91	165	11.1	315	11.6	295	6	153	2.2	57	2.5	63	2.8	71	2.8	71	1.5	39	1.6	40	1	25.4
14 102	4x32 AO	28.5	9.5	3.5	90	10-∞	9-∞	165	13.1	370	11.9	302	5.8	148	2	51	2.5	64	2.8	71	3.3	83	1.9	47	1.6	40	1	25.4
14 110	2-7x32	46.6-14.1	15.5-4.7	3.5	90	100	91	140	12.8	363	11.2	285	4.7	119	1.6	40	1.8	46	3.7	95	2.8	71	1.5	39	1.6	40	1	25.4
14 111	2-7x32 AO	46.6-14.1	15.5-4.7	3.5	90	10-∞	9-∞	140	14.7	417	11.5	292	4.5	114	1.4	35	1.8	46	3.7	95	3.3	83	1.9	47	1.6	40	1	25.4
14 120	3-9x40	39-12.7	13-4.2	3.5	90	100	91	100	14.2	402	12.4	315	5.3	134	2.2	55	1.8	46	3.7	95	3.4	86	1.9	47	1.6	40	1	25.4
14 121	3-9x40	39-12.7	13-4.2	3.5	90	100	91	100	14.2	402	12.4	315	5.3	134	2.2	55	1.8	46	3.7	95	3.4	86	1.9	47	1.6	40	1	25.4
14 122	3-9x40 AO	39-12.7	13-4.2	3.5	90	10-∞	9-∞	100	17	482	12.7	322	4.8	122	1.7	43	1.8	46	3.7	95	4.1	105	2.1	54	1.6	40	1	25.4
14 123	3-9x40 AO	39-12.7	13-4.2	3.5	90	10-∞	9-∞	100	17	482	12.7	322	4.8	122	1.7	43	1.8	46	3.7	95	4.1	105	2.1	54	1.6	40	1	25.4
14 130	3-9x50	33.6-11	11.2-3.7	3.5	90	100	91	90	16.6	470	13.5	343	5.9	150	2.6	65	2	52	3.7	95	3.9	98	2.2	57	1.6	40	1	25.4
14 131	3-9x50	33.6-11	11.2-3.7	3.5	90	100	91	90	16.6	470	13.5	343	5.9	150	2.6	65	2	52	3.7	95	3.9	98	2.2	57	1.6	40	1	25.4
14 132	3-9x50 AO	33.6-11	11.2-3.7	3.5	90	10-∞	9-∞	90	20.3	576	13.8	351	5.6	142	2.2	57	2	52	3.7	95	4.5	114	2.5	64	1.6	40	1	25.4
14 133	3-9x50 AO	33.6-11	11.2-3.7	3.5	90	10-∞	9-∞	90	20.3	576	13.8	351	5.6	142	2.2	57	2	52	3.7	95	4.5	114	2.5	64	1.6	40	1	25.4



Code	Model	Field of View		Eye Relief		PX/Focus		Turrets	Weight		A		B		C		D		E		F		G		H		I	
		ft @100yds	m @100m	in	mm	yds	m		max. MOA	oz	g	in	mm	in	mm	in	mm	in	mm	in	mm	in	mm	in	mm	in	mm	in
14 140	4-12x40 AO	26.2-8.7	8.7-2.9	3.5	90	10-∞	9-∞	80	17.1	485	13.6	346	5.7	146	2.4	61	2	52	3.7	95	4.1	105	2.1	54	1.6	40	1	25.4
14 141	4-12x40 AO	26.2-8.7	8.7-2.9	3.5	90	10-∞	9-∞	100	17.1	485	13.6	346	5.7	146	2.4	61	2	52	3.7	95	4.1	105	2.1	54	1.6	40	1	25.4
14 181	3-9x40 AO	44.1-14.7	14.7-4.9	3.5	90	10-∞	9-∞	90	16	454	12.2	311	4.8	122	1.7	43	1.8	46	3.4	87	4	102	2	51	1.7	43	1	25.4
14 183	3-9x50 AO	44.1-14.7	14.7-4.9	3.5	90	10-∞	9-∞	90	18.4	522	12.3	312	4.6	116	1.5	37	1.8	46	3.4	87	4.3	109	2.4	61	1.7	43	1	25.4
14 185	4-12x40 AO	32.9-10.9	11-3.6	3.5	90	10-∞	9-∞	75	16.4	465	12.7	322	5.3	134	2.2	55	1.8	46	3.4	87	4	101	2	51	1.7	43	1	25.4
14 187	4-12x50 AO	32.9-10.9	11-3.6	3.5	90	10-∞	9-∞	75	18.7	530	12.8	324	5.1	129	2	50	1.8	46	3.4	87	4.3	108	2.4	61	1.7	43	1	25.4
14 189	4.5-14x50 AO	29.1-9.7	9.7-3.2	3.5	90	10-∞	9-∞	65	20	567	13.3	339	5.1	129	2	50	1.8	46	3.4	87	4.8	123	2.4	61	1.7	43	1	25.4



+SIDEWINDER

THE WHOLE 999 YARDS.

+SIDEWINDER

Long-range shooting has a very specific set of requirements when it comes to optics. The Sidewinder series of scopes delivers performance and features at an almost unbelievable value.

A 30mm mono-tube chassis provides a strong, stable platform for the optics, even when used on brutal long range calibres like the .338 Lapua. Exposed turrets allow for quick, yet precise adjustments, and a variety of magnifications mean no matter what your application or preference, Sidewinder has your long range shooting applications covered.

The all new Sidewinder ED 10-50x60 has been designed with patented interchangeable turrets and extra-low

dispersion (ED) glass. Turrets are easy to install and are available in $\frac{1}{4}$ MOA, $\frac{1}{8}$ MOA and $\frac{1}{10}$ MRAD.

The Sidewinder 30 SF family offers three reticle options, two being different sizes of the popular Half Mil Dot reticle, the third being the SR Pro. The Sidewinder ED features the TMX reticle designed for ultra long-range shooting.

Compatible with the Hawke X-ACT software, these reticles allow for your round and gun combination to be blueprinted against the reticle itself, making downrange accuracy easier to achieve than ever.



FULLY MULTI-COATED LENSES

18 layer advanced lens coatings are used on each lens throughout the optical system increasing light transmission and improving performance.

EXPOSED, LOCKING & RESETTABLE TURRETS

Push-pull locking, resettable turrets with positive $\frac{1}{4}$ MOA click values and 15 MOA per revolution. Zeroing and staying on target is quick and reliable.



ILLUMINATION RHEOSTAT AND SIDE WHEEL

42mm models feature a 2 inch (50mm) side wheel. Other scopes are supplied with a 4 inch (100mm) wheel. The rheostat has 5 settings in red and green.

STEPLESS ILLUMINATION RHEOSTAT (ED MODEL)

Precise control of the reticle illumination using the stepless rheostat positioned at 45° on the ocular. Levels have been calibrated from bright to ultra-low.



LOCKING FAST FOCUS OCULAR

Set it and forget it. Quickly achieve sharp reticle focus and then lock it down to avoid accidentally adjusting the dioptre setting.

INTERCHANGEABLE TURRETS (ED MODEL)

Interchangeable, locking and resettable exposed turrets allow for quick, yet precise adjustments. $\frac{1}{4}$ MOA, $\frac{1}{8}$ MOA or $\frac{1}{10}$ MRAD turrets available.



SIDEWINDER ED

ED | Red IR | 30mm | SF | Waterproof

FEATURES

- Extra-low Dispersion glass for optimum detail
- 18 layer fully multi-coated optics for superior clarity
- Side focus control for parallax adjustment to infinity
- 30mm mono-tube chassis for superior strength
- Glass etched reticle with red illumination
- Stepless rheostat offers total brightness control
- Interchangeable turrets – quick to install and remove
- ¼ MOA exposed, locking and resettable turrets
- Locking ocular and high torque zoom ring
- Nitrogen purged – water, shock and fog proof
- Hawke lifetime warranty

> MORE RETICLE INFORMATION ON PAGE 64

SUPPLIED WITH

- + ¼ MOA turrets
- + Flip-up covers
- + 4 inch wheel
- + CR2032 battery
- + 4 inch sunshade
- + Lens cloth
- + Pointer



17 370

10-50x60 SF

30mm Tube

TMX

£849.99



1/4 MOA INTERCHANGEABLE TURRETS

1 click = 1/4 MOA = 1/4 inch at 100 yards.

Supplied as standard with the Sidewinder ED 10-50x60. The 1/4 MOA turrets offer familiar click adjustment to shooters, while still giving fast, accurate point of impact adjustment.

1/8 MOA INTERCHANGEABLE TURRETS

1 click = 1/8 MOA = 1/8 inch at 100 yards.

Finer click adjustment than the supplied 1/4 MOA turrets, the 1/8 MOA give more accuracy and precision, especially useful at long range.

1/10 MRAD INTERCHANGEABLE TURRETS

1 click = 1/10 MRAD = 0.36 inch at 100 yards = 1cm at 100m.

Measured to fit - the 1/10 MRAD turrets perfectly compliment the Sidewinder ED's TMX reticle, which is based on Mil Dot spacing. 10 clicks equal one full MRAD, which is the space between two Mil Dots.



NEW



65 100

1/4 MOA Per Click

7.5 MOA Per Rotation

45 MOA Total

£99.99

NEW



65 101

1/8 MOA Per Click

3.75 MOA Per Rotation

45 MOA Total

£99.99

NEW



65 102

1/10 MRAD Per Click

3 MRAD Per Rotation

13 MRAD Total

£99.99



SIDEWINDER 30 SF

Red/Green IR | 30mm | SF | Waterproof

FEATURES

- 18 layer fully multi-coated optics for superior clarity
- Side focus control for parallax adjustment to infinity
- 30mm mono-tube chassis for superior strength
- Glass etched reticle with red and green illumination
- Rheostat on saddle offers 5 levels of brightness
- ¼ MOA exposed, locking and resettable turrets
- Locking ocular and high torque zoom ring
- Includes screw-in metal flip-up lens covers
- Nitrogen purged – water, shock and fog proof
- Hawke lifetime warranty



17 100

4.5-14x42 SF

30mm Tube

10x Half Mil Dot

£399.99



17 110

6.5-20x42 SF

30mm Tube

20x Half Mil Dot

£419.99



17 120

8.5-25x42 SF

30mm Tube

20x Half Mil Dot

£439.99



17 130

10x42 SF

30mm Tube

10x Half Mil Dot

£329.99



17 200

3-12x50 SF

30mm Tube

10x Half Mil Dot

£379.99



17 201

3-12x50 SF

30mm Tube

SR Pro

£379.99



> MORE RETICLE INFORMATION ON PAGE 64

SUPPLIED WITH

- + 2 or 4 inch wheel
- + 4 inch sunshade
- + Pointer
- + Lens covers
- + CR2032 battery
- + Lens cloth



17 210

4-16x50 SF

30mm Tube

10x Half Mil Dot

£399.99



17 211

4-16x50 SF

30mm Tube

SR Pro

£399.99



17 220

6-24x56 SF

30mm Tube

20x Half Mil Dot

£419.99



17 221

6-24x56 SF

30mm Tube

SR Pro

£419.99



17 230

8-32x56 SF

30mm Tube

20x Half Mil Dot

£439.99



17 231

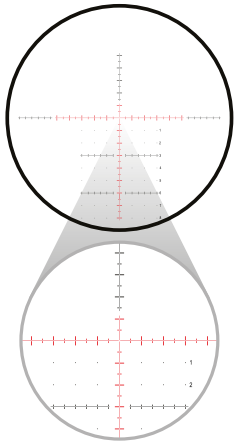
8-32x56 SF

30mm Tube

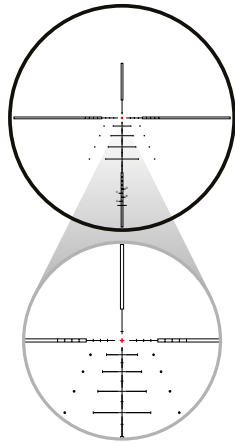
SR Pro

£439.99

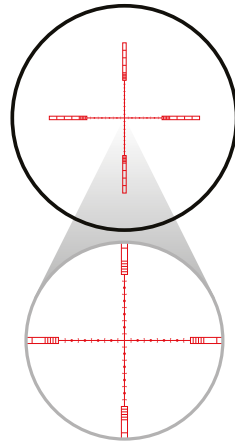
SIDEWINDER RETICLES



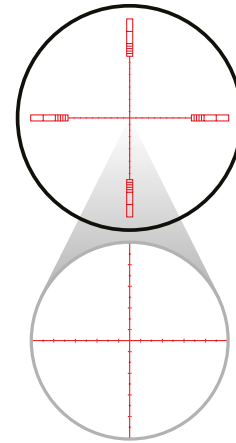
TMX
(RED)



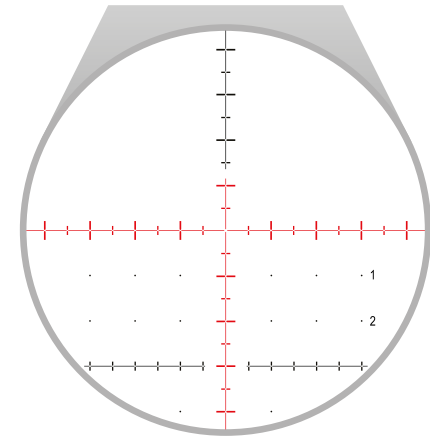
SR PRO
(RED/GREEN)



10x HALF MIL DOT
(RED/GREEN)



20x HALF MIL DOT
(RED/GREEN)



TMX

TMX

Glass etched with illuminated aim points. Based on a 20x mil dot spacing the TMX features additional windage and hold-over marks for long range shooting.

SR PRO

The SR Pro features hollow posts, thinned down crosses and additional windage points. The bars and dots can also be used for range finding.

10x HALF MIL DOT

Accurate mil spacing on 10x. Features dots and ties at half mil spacing, ensuring that there is always an aim point available. Glass etched fully floating reticle.

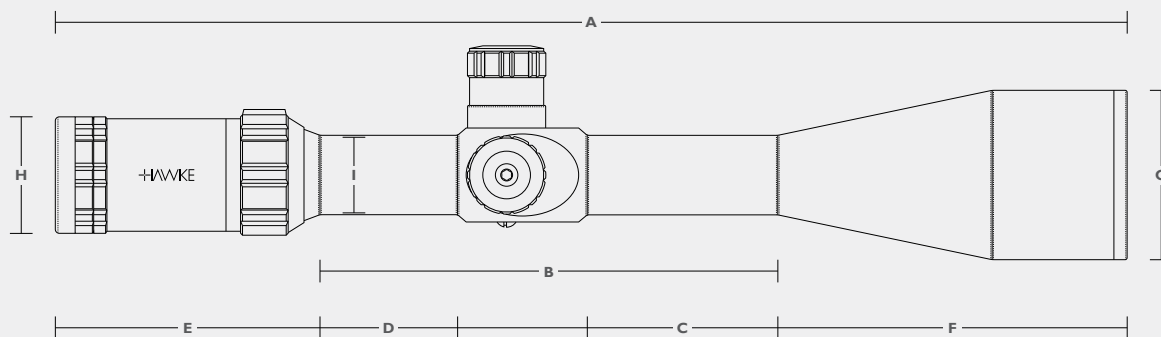
20x HALF MIL DOT

True mil spacing at 20x magnification. The hollow bars are calibrated for 0.2 mil spacing and mil spacing. Fully floating glass etched reticle with red/green illumination.

ADDITIONAL INFORMATION

Allowing for 8 mil spacing of hold-over to the outer edge of the field of view along with 3 mil spacing of windage in each direction. The TMX is a versatile reticle that provides aim points no matter how extreme the conditions.

The grid formation features etched reference numbers for ease of use and offers a clear target view due to the use of fine dots. Each cross has a see-through gap, allowing an unobstructed view of the target.



Code	Model	Field of View		Eye Relief		PX/Focus		Turrets	Weight		A		B		C		D		E		F		G		H		I	
		ft @100yds	m @100m	in	mm	yds	m		max. MOA	oz	g	in	mm	in	mm	in	mm	in	mm	in	mm	in	mm	in	mm	in	mm	in
17 370	10-50x60 SF	11.7-2.4	3.9-0.8	3.7	95	10-∞	9-∞	45	34.6	980	18	458	7.1	180	2.8	71	2.4	61	4	101	7	177	2.7	68	1.7	44	1.2	30
17 100	4.5-14x42 SF	22.7-7.2	7.6-2.4	3.5	90	10-∞	9-∞	70	26.3	745	14.5	369	6.4	162	2.4	61	2	51	3.9	100	4.2	107	1.9	48	1.7	43	1.2	30
17 110	6.5-20x42 SF	16.8-5.5	5.6-1.8	3.5	90	10-∞	9-∞	80	26	738	15.4	391	7.2	183	3.2	81	2	51	3.9	100	4.3	108	1.9	48	1.7	43	1.2	30
17 120	8.5-25x42 SF	12.7-3.9	4.2-1.3	3.5	90	10-∞	9-∞	70	27.5	781	16	407	7.4	188	3.3	84	2	51	3.9	100	4.7	119	1.9	48	1.7	43	1.2	30
17 130	10x42 SF	10.9	3.6	4	102	10-∞	9-∞	60	24.6	697	14.5	369	7.2	183	3.2	81	2	51	3.2	82	4.1	104	1.9	48	1.7	43	1.2	30
17 200	3-12x50 SF	27.9-7.9	9.3-2.6	3.5	90	10-∞	9-∞	66	27.5	780	14	356	5.9	149	2.1	53	2	51	3.9	100	4.2	107	2.2	56	1.7	43	1.2	30
17 201	3-12x50 SF	27.9-7.9	9.3-2.6	3.5	90	10-∞	9-∞	66	27.5	780	14	356	5.9	149	2.1	53	2	51	3.9	100	4.2	107	2.2	56	1.7	43	1.2	30
17 210	4-16x50 SF	22.7-6.6	7.6-2.2	3.5	90	10-∞	9-∞	65	27.5	780	14.4	366	6.3	159	2.3	58	2	51	3.9	100	4.2	107	2.2	56	1.7	43	1.2	30
17 211	4-16x50 SF	22.7-6.6	7.6-2.2	3.5	90	10-∞	9-∞	65	27.5	780	14.4	366	6.3	159	2.3	58	2	51	3.9	100	4.2	107	2.2	56	1.7	43	1.2	30
17 220	6-24x56 SF	14.8-4.4	4.9-1.5	3.5	90	10-∞	9-∞	62	29.8	844	15.9	404	6.8	172	2.8	71	2	51	3.9	100	5.2	132	2.5	64	1.7	43	1.2	30
17 221	6-24x56 SF	14.8-4.4	4.9-1.5	3.5	90	10-∞	9-∞	62	29.8	844	15.9	404	6.8	172	2.8	71	2	51	3.9	100	5.2	132	2.5	64	1.7	43	1.2	30
17 230	8-32x56 SF	10.6-3.3	3.5-1.1	3.5	90	10-∞	9-∞	53	30.7	870	17	432	7.3	185	3.2	81	2	51	3.9	100	5.8	147	2.5	64	1.7	43	1.2	30
17 231	8-32x56 SF	10.6-3.3	3.5-1.1	3.5	90	10-∞	9-∞	53	30.7	870	17	432	7.3	185	3.2	81	2	51	3.9	100	5.8	147	2.5	64	1.7	43	1.2	30

+AIRMAX

SERIOUS AIRGUN OPTICS FOR SERIOUS
AIRGUN SHOOTERS.



+AIRMAX

Airguns can have a devastating effect on optics if the right products aren't used. Hawke is an industry leader in developing specialized optics for serious airgun shooters and hunters.

Airmax scopes are available in either 30mm or 1 inch chassis designs. The Airmax 30 offers the illuminated AMX reticle, designed with serious airgun shooters in mind. Additionally, the Airmax 30 uses a side focus parallax adjustment that can focus down to 10 yards. Lockable turrets allow for easy adjustments without the need to remove a turret cap.

The Airmax 1 inch family has three magnification ranges to suit the needs of almost any shooter. Built in an adjustable

objective chassis, the Airmax uses the non-illuminated AMX reticle to improve downrange accuracy of any airgun shooter. A more traditional scope design, the Airmax is a great option for the serious airgun hunter that wants to keep the weight of their rifle down.



SIDE FOCUS PARALLAX WHEEL

A patented design allows the large side wheel to attach directly onto the central spine of the side wheel for accurate focus and parallax free shooting.



STEPLESS ILLUMINATION RHEOSTAT

For complete control of the AMX IR reticle brightness, a stepless rheostat operates with infinite adjustment from low to ultra-bright illumination.



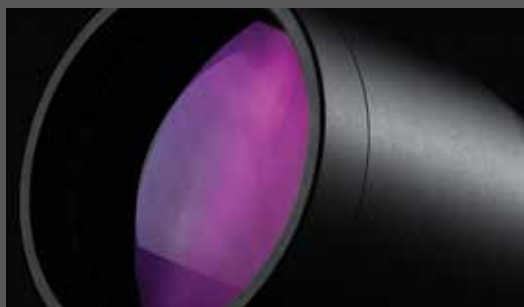
ADJUSTABLE OBJECTIVE

For accurate focus and the elimination of parallax error to infinity, the integrated adjustable objective (AO models) operates with precision and ease.



EXPOSED, LOCKING & RESETTABLE TURRETS

High grip elevation and windage turrets with $\frac{1}{4}$ MOA clicks. The locking mechanism ensures that zero is not lost by accidental movement.



FULLY MULTI-COATED LENSES

Airmax optical systems have been expertly designed to offer high resolution viewing. Image reproduction is bright and sharp allowing you to see with total clarity.



LOW-PROFILE FINGERTIP TURRETS

With 15 MOA of adjustment for each rotation, the low profile turrets operate with repeatable accuracy. Once on target the scale can be reset to zero.



AIRMAX 30 SF

Red IR | 30mm | SF | Waterproof

FEATURES

- 16 layer fully multi-coated optics for exceptional clarity
- Side focus control for parallax adjustment to infinity
- 30mm mono-tube chassis for superior strength
- Glass etched reticle with red illumination
- Stepless rheostat offers total brightness control
- ¼ MOA exposed, locking and resettable turrets
- Fast focus eyepiece and high torque zoom ring
- Includes screw-in metal flip-up covers
- Nitrogen purged – water, shock and fog proof
- Hawke lifetime warranty



> MORE RETICLE INFORMATION ON PAGE 70

SUPPLIED WITH

- + 4 inch wheel
- + CR2032 battery
- + 4 inch sunshade
- + Lens cloth
- + Flip-up covers



13 300
3-12x50 SF
30mm Tube
AMX IR
£299.99



13 310
4-16x50 SF
30mm Tube
AMX IR
£329.99



13 320
6-24x50 SF
30mm Tube
AMX IR
£349.99



13 340
8-32x50 SF
30mm Tube
AMX IR
£369.99



AIRMAX

1 Inch | Waterproof

FEATURES

- 16 layer fully multi-coated optics for exceptional clarity
- Wide view optical system ideal for varmint/airgun
- Glass etched reticle to withstand high recoil
- Integrated adjustable objective for parallax adjustment
- 1 inch mono-tube chassis for superior strength
- ¼ MOA low profile 'no-sag' fingertip turrets
- Fast focus eyepiece and high torque zoom ring
- Threaded objective/ocular for optional accessories
- Nitrogen purged – water, shock and fog proof
- Hawke lifetime warranty



> MORE RETICLE INFORMATION ON PAGE 70

SUPPLIED WITH

- + Lens covers
- + Lens cloth



13 100
2-7x32 AO
1 Inch Tube
AMX
£139.99



13 110
3-9x40 AO
1 Inch Tube
AMX
£149.99

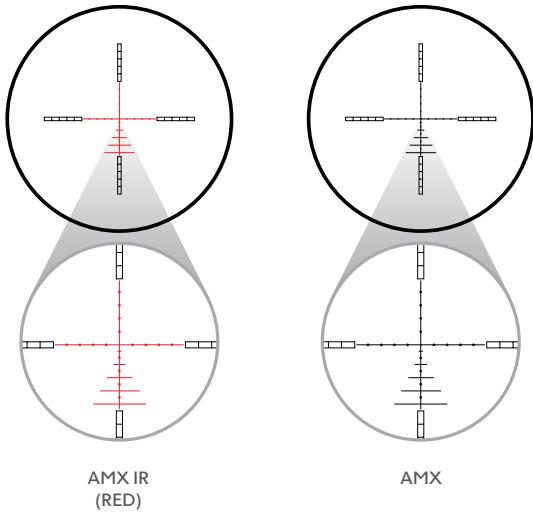


13 130
4-12x40 AO
1 Inch Tube
AMX
£169.99



13 140
4-12x50 AO
1 Inch Tube
AMX
£179.99

AIRMAX RETICLES



AMX IR
(RED)

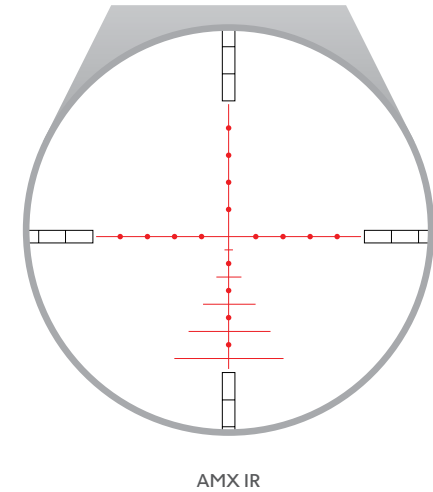
AMX

AMX IR

Provides multiple aim points based on mil spacing, with additional half mil spacing for holdover aim points. All aim points and windage bars illuminate.

AMX

1 inch models feature the AMX reticle and provide multiple aim points based on mil spacing, additional half mil spacing provides holdover aim points.

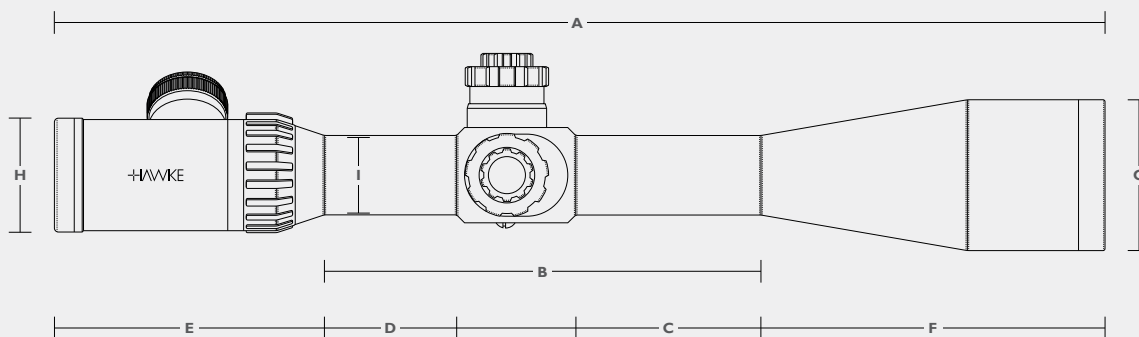


AMX IR

ADDITIONAL INFORMATION

Both the AMX and AMX IR glass etched reticles are based on the spacing of a 10x mil dot. The AMX offers multiple aim points, useful when shooting air guns with loopy trajectories.

Half mil dot spacing on the lower post provides increased aim points for long shots. The additional bars are calculated at 0.5, 1, 1.5 and 2 mil spacing. Hollow posts are segmented into mil spacing and can be used for bracketing.



Code	Model	Field of View		Eye Relief		PX/Focus		Turrets	Weight		A		B		C		D		E		F		G		H		I	
		ft @100yds	m @100m	in	mm	yds	m		max. MOA	oz	g	in	mm	in	mm	in	mm	in	mm	in	mm	in	mm	in	mm	in	mm	in
13 300	3-12x50 SF	30.9-8.3	10.3-2.8	4	102	10-∞	9-∞	95	27.5	780	13.6	346	5.9	150	2.2	55	2	50	3.9	100	3.8	96	2.2	57	1.7	44	1.2	30
13 310	4-16x50 SF	23-6.5	7.7-2.2	4	102	10-∞	9-∞	85	27.5	780	14.1	358	5.9	150	2.2	55	2	50	3.9	100	4.3	108	2.2	57	1.7	44	1.2	30
13 320	6-24x50 SF	17.3-4.5	5.8-1.5	4	102	10-∞	9-∞	65	26.7	757	15.6	395	6.5	165	2.8	70	2	50	3.9	100	5.1	130	2.2	57	1.7	44	1.2	30
13 340	8-32x50 SF	13-3.4	4.3-1.1	4	102	10-∞	9-∞	55	27.3	774	16.6	422	6.5	165	2.8	70	2	50	3.9	100	6.2	157	2.2	57	1.7	44	1.2	30
13 100	2-7x32 AO	52.5-18.9	17.5-6.3	3.5	90	10-∞	9-∞	120	16.6	472	10.6	269	4.2	106	1.2	31	1.6	40	3.7	95	2.7	68	1.8	46	1.7	44	1	25.4
13 110	3-9x40 AO	37.2-13.6	12.4-4.5	3.5	90	10-∞	9-∞	80	18.3	519	12	306	4.5	115	1.6	40	1.6	40	3.7	95	3.8	96	2.1	54	1.7	44	1	25.4
13 130	4-12x40 AO	29.9-11	10-3.7	3.5	90	10-∞	9-∞	80	18.4	522	12.7	322	4.7	120	1.8	45	1.6	40	3.7	95	4.2	107	2.1	54	1.7	44	1	25.4
13 140	4-12x50 AO	29.9-11	10-3.7	3.5	90	10-∞	9-∞	70	21.9	620	13	329	4.6	118	1.7	43	1.6	40	3.7	95	4.6	116	2.5	63	1.7	44	1	25.4

X-ACT RETICLES

OUT-OF-THE-BOX ACCURACY



X-ACT RETICLES

For downrange accuracy straight out-of-the-box, choose X-ACT reticle scopes from Hawke.

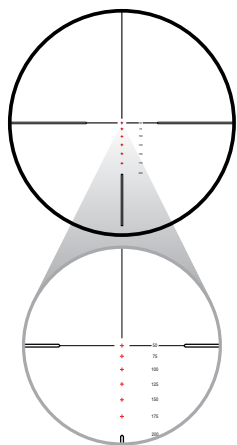
With exclusive reticle designs carefully calculated to match up to your favourite centrefire and rimfire rifles, longer shots that were once thought to be out of reach are now within your sight.

.223 & .308 (US Surplus), .17 HMR, .17 Mach 2, .22 WMR, .22 LR HV and .22 LR Subsonic ballistic drop trajectories have all been studied and the data used to make the most accurate reticles to date.

So if you wish to shoot out to your rifles potential, a Hawke X-ACT reticle scope is the perfect choice.



X-ACT RETICLES



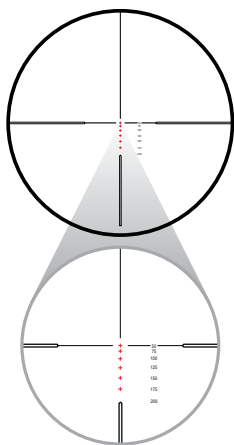
RIMFIRE .22 LR SUBSONIC
(RED/GREEN)

RIMFIRE .22 LR SUBSONIC

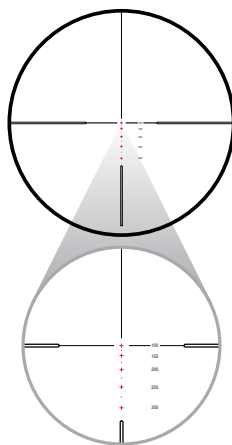
Designed for the .22 LR Subsonic calibre. Zero on maximum mag. at 50 yards and all aim points are pre-calculated out to 200 yards. 1057 fps.

RIMFIRE .22 LR HV

Designed for the .22 LR HV calibre. Zero on maximum mag. at 50 yards and all aim points are pre-calculated out to 200 yards. 1260 fps.



RIMFIRE .22 LR HV
(RED/GREEN)



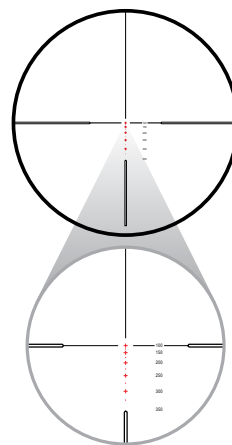
RIMFIRE .22 WMR
(RED/GREEN)

RIMFIRE .22 WMR

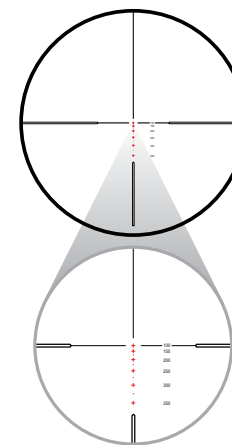
Designed for the .22 WMR calibre. Zero on maximum mag. at 100 yards and all aim points are pre-calculated out to 300 yards. 2000 fps.

RIMFIRE .17 MACH 2

Designed for the .17 Mach 2 calibre. Zero on maximum mag. at 100 yards and all aim points are pre-calculated out to 350 yards. 2100 fps.



RIMFIRE .17 MACH 2
(RED/GREEN)



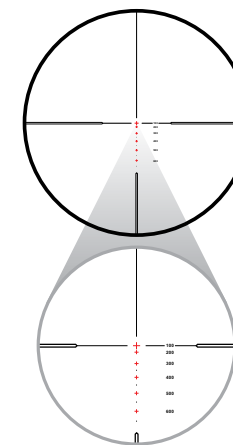
RIMFIRE .17 HMR
(RED/GREEN)

RIMFIRE .17 HMR

Designed for the .17 HMR calibre. Zero on 12x mag. at 100 yards and all aim points are pre-calculated out to 350 yards. 2550 fps.

.223/.308 MARKSMAN

Matches the ballistics of most .223 and .308 ammo. Crosses at 100 yard intervals out to 600 yards with 50 yard dots. 2790 fps.



.223/.308 MARKSMAN



X-ACT RETICLES

.223/.308 Calibre | .17 Calibre

COMMON PRESETS

CENTREFIRE .223/308

Muzzle Velocity: 2790 fps
 Ballistic Coefficient: 0.4010
 Zero(ed) Range: 100 yards
 Scope Height: 2.35 inches

RIMFIRE .17 MACH 2

Muzzle Velocity: 2100 fps
 Ballistic Coefficient: 0.1249
 Zero(ed) Range: 100 yards
 Scope Height: 1.75 inches

RIMFIRE .17 HMR

Muzzle Velocity: 2550 fps
 Ballistic Coefficient: 0.1251
 Zero(ed) Range: 100 yards
 Scope Height: 1.75 inches



16 111

Endurance LER

3-9x40

Centrefire .223/308

Page 22



16 160

Endurance SF

6-18x50 SF

Centrefire .223/308

Page 20



16 251

Endurance 30 SF

4-16x50 SF

Centrefire .223/308

Page 16



16 261

Endurance 30 SF

6-24x50 SF

Centrefire .223/308

Page 17



14 241

Vantage IR

4-12x40 AO

Rimfire .17 HMR

Page 42



14 253

Vantage IR

4-12x50 AO

Rimfire .17 HMR

Page 43



14 261

Vantage IR

4-16x50 AO

Rimfire .17 HMR

Page 43



14 224

Vantage IR

3-9x40

Rimfire .17 Mach 2

Page 41

X-ACT RETICLES

.22 Calibre

COMMON PRESETS

RIMFIRE .22 LR HV

Muzzle Velocity: 1260 fps
 Ballistic Coefficient: 0.1262
 Zero(ed) Range: 50 yards
 Scope Height: 1.75 inches

RIMFIRE .22 WMR

Muzzle Velocity: 2000 fps
 Ballistic Coefficient: 0.1369
 Zero(ed) Range: 100 yards
 Scope Height: 1.75 inches

RIMFIRE .22 LR SUBSONIC

Muzzle Velocity: 1057 fps
 Ballistic Coefficient: 0.1730
 Zero(ed) Range: 50 yards
 Scope Height: 1.75 inches



14 222

Vantage IR

3-9x40

Rimfire .22 LR HV

Page 41



14 242

Vantage IR

4-12x40 AO

Rimfire .22 WMR

Page 42



14 223

Vantage IR

3-9x40

Rimfire .22 LR Subsonic

Page 41



14 231

Vantage IR

3-9x50

Rimfire .22 LR Subsonic

Page 41



14 251

Vantage IR

4-12x50

Rimfire .22 LR Subsonic

Page 42



CROSSBOW SCOPES

WE DIDN'T INVENT CROSSBOW SCOPES...
...WE PERFECTED THEM.



CROSSBOW SCOPES

As crossbows grow in acceptance, more people are exposed to Hawke as the leader in crossbow optics. Since 2008, customers and crossbow companies alike have come to Hawke for the very best in crossbow optics.

From a chassis specifically designed to withstand the rigours of crossbows, to reticle systems almost guaranteed to make you a better shot, Hawke has re-written the rules for what can be expected of crossbow optics.

The XB30 Pro scope makes the most of innovative reticle designs by pairing them with our vari-speed technology.

Using the magnification as a calibration tool, shooters can achieve even 10 yard increments on virtually any bow shooting between 215 and 450 feet per second. Flexibility, innovation, and proven performance make Hawke the unquestioned industry leader in crossbow optics.



XB30 PRO OPTICAL SYSTEM

Protected by metal flip-up covers, the XB30 Pro optical system produces exceptional low light performance thanks to its high light transmission 16 layer fully multi-coated lenses.

XB30 PRO TURRETS AND ILLUMINATION

Highly accurate, 1/2 MOA click, low profile resettable turrets with 30 MOA per revolution coupled with a stepless rheostat allowing infinite adjustment across the illumination range. All the control you'll ever need.



XB30 PRO SPEED ADJUSTER

Adjust the speed selector (zoom) to match the bow speed from 215-450 fps for accurate reticle calibration. Selector features integrated high grip rubber insert.

XB1 SPEED ADJUSTER

For accurate aim points adjust the speed adjuster (zoom) so the reticle matches the ballistic profile of your crossbow. Tune the XB1 to work with bow speeds of 250fps - 425fps.



XB/XB1 OPTICAL SYSTEM

11 layer fully multi-coated optics provide exceptional performance and light gathering capabilities in low light conditions when game is most active.

XB/XB1 LOW PROFILE TURRETS

Quick and accurate zero is achieved with positive click 1/2 MOA turrets are protected from the elements with a sealed turret cap.





XB30 PRO

Red IR | 30mm | Waterproof

FEATURES

- 16 layer fully multi-coated optics for exceptional clarity
- 30mm mono-tube chassis for superior strength
- Speed selector ring – speeds from 215 to 450 fps
- Glass etched reticle with red illumination
- Stepless rheostat offers total brightness control
- ½ MOA low profile ‘no-sag’ fingertip turrets
- Fast focus eyepiece and high torque zoom ring
- Includes screw-in metal flip-up lens covers
- Nitrogen purged – water, shock and fog proof
- Hawke lifetime warranty

> MORE RETICLE INFORMATION ON PAGE 82

SUPPLIED WITH

- + Flip-up covers
- + CR2032 battery
- + Lens cloth



I2 230

1-5x24

30mm Tube

XB30 Pro SR

£249.99





XB1

Red/Green IR (SR) | 1 inch | Waterproof

FEATURES

- 11 layer fully multi-coated optics for excellent clarity
- 1 inch mono-tube chassis for superior strength
- Speed selector ring – speeds from 250 to 425 fps
- Glass etched reticle with red and green illumination (SR)
- Rheostat on saddle offers 5 levels of brightness (SR)
- ½ MOA low profile ‘no-sag’ fingertip turrets
- Fast focus eyepiece and high torque zoom ring
- Nitrogen purged – water, shock and fog proof
- Hawke lifetime warranty



> MORE RETICLE INFORMATION ON PAGE 82

SUPPLIED WITH

- + Flip-up covers
- + CR2032 battery (SR)
- + Lens cloth



12 220

1.5-5x32

1 Inch Tube

XBI MAP

£139.99



12 221

1.5-5x32

1 Inch Tube

XBI SR

£179.99

XB

Red/Green IR (SR) | 1 inch | Waterproof

FEATURES

- 11 layer fully multi-coated optics for excellent clarity
- 1 inch mono-tube chassis for superior strength
- Designed for speeds of 315 feet per second
- X-ACT compatible, can be calculated for different fps
- Glass etched reticle with red and green illumination (SR)
- Rheostat on saddle offers 5 levels of brightness (SR)
- 1/2 MOA low profile 'no-snag' fingertip turrets
- Fast focus eyepiece and high torque zoom ring
- Nitrogen purged – water, shock and fog proof
- Hawke lifetime warranty



> MORE RETICLE INFORMATION ON PAGE 82

SUPPLIED WITH

- + Flip-up covers
- + CR2032 battery (SR)
- + Lens cloth



12 210

3x32

1 Inch Tube

XB MAP

£79.99



12 211

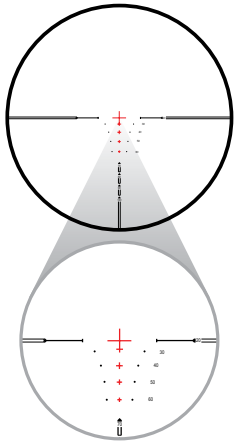
3x32

1 Inch Tube

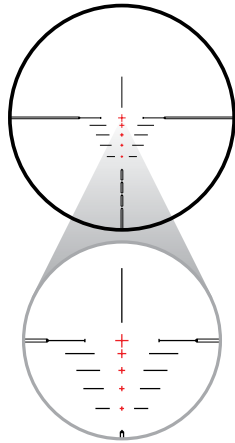
XB SR

£129.99

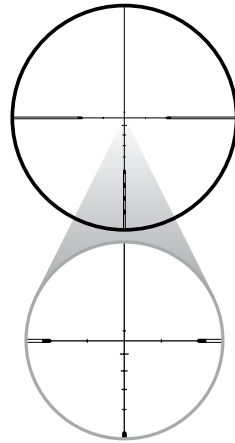
CROSSBOW RETICLES



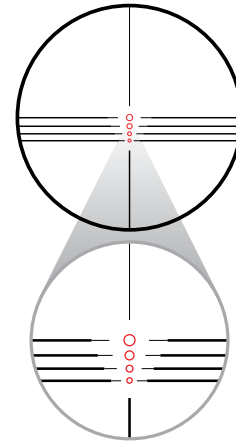
XB30 PRO SR
(RED)



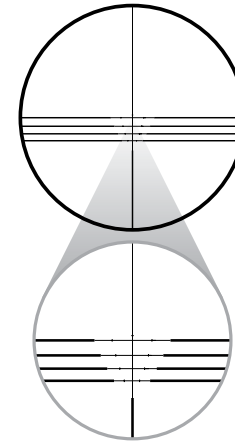
XB1 SR
(RED/GREEN)



XB1 MAP



XB SR
(RED/GREEN)



XB MAP

XB30 PRO SR

Aim marks represent 2 inches across. Bracketing of 4 or 8 inches on the 20yd horizontal line and 4 inch brackets on dot markings out to 60yds. Suitable for speeds from 215 fps through 450 fps.

XB1 SR

10yd aim points from a 20yd zero out to 100yds. Aim marks measure 1.5 inches across at the corresponding distances. Bracketing of 4 or 8 inches from 20yds out to 60yds. Speeds from 250 to 425 fps.

XB1 MAP

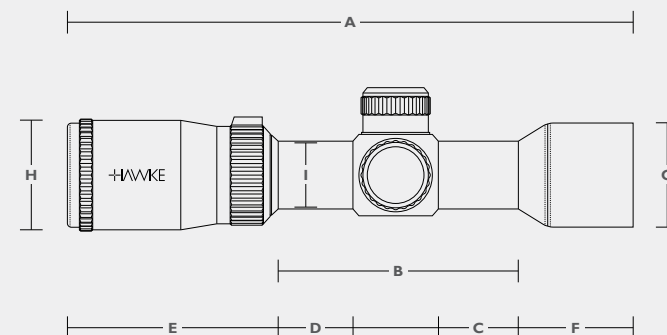
10yd aim points from a 20yd zero out to 100yds. Bracketing of 4 or 8 inches on the 20yd horizontal line. Speeds from 250 to 425 fps.

XB SR

Illuminated hollow circles allow you to 'see through', with a 2 inch kill zone. 10yd aim points from 20yd zero out to 60yds. Bracketing of 6 or 12 inches out to the 50yd line. Calibrated for 315 fps

XB MAP

10yd aim points from a 20yd zero out to 60yds. Bracketing of 6 or 12 inches out to the 50yd line. Calibrated for 315 fps.



Code	Model	Field of View		Eye Relief		PX/Focus		Turrets	Weight		A		B		C		D		E		F		G		H		I	
		ft @100yds	m @100m	in	mm	yds	m		max. MOA	oz	g	in	mm	in	mm	in	mm	in	mm	in	mm	in	mm	in	mm	in	mm	in
12 230	1-5x24	100-20.9	33.3-7	3	76	50	46	210	16.5	468	10.1	256	6.2	157	3	75	1.7	43	3.9	99	-	-	1.2	30	1.7	44	1.2	30
12 220	1.5-5x32	75-22.5	25-7.5	3	76	50	46	120	13	368	8.3	211	3.5	89	1.2	30	1.1	28	3.1	79	1.7	43	1.5	39	1.7	43	1	25.4
12 221	1.5-5x32	75-22.5	25-7.5	3	76	50	46	120	13	368	8.3	211	3.5	89	1.2	30	1.1	28	3.1	79	1.7	43	1.5	39	1.7	43	1	25.4
12 210	3x32	33.3	11.1	4	102	50	46	120	9.8	278	8.5	216	3.7	94	1.3	33	1.2	30	2.4	61	2.4	61	1.5	39	1.7	43	1	25.4
12 211	3x32	33.3	11.1	4	102	50	46	120	11	311	8.5	216	3.7	94	1.3	33	1.2	30	2.4	61	2.4	61	1.5	39	1.7	43	1	25.4

X-ACT

BALLISTICS SOFTWARE FOR MAC, WINDOWS, IPHONE AND ANDROID

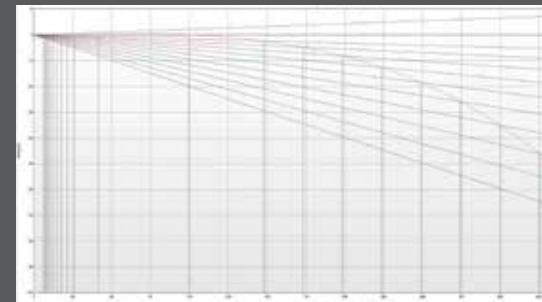
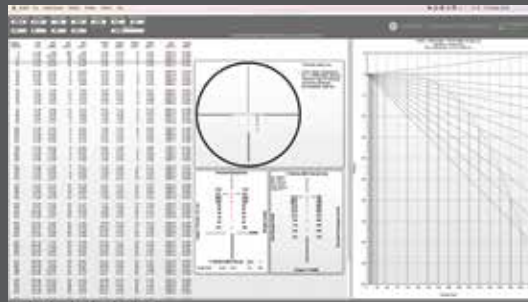


X-ACT

Ballistics can be complicated at the best of times, which is why Hawke has developed easy-to-use and deadly accurate reticles with the added support of the X-ACT software.

X-ACT is quick and easy to navigate. Simply enter your ballistic profile and aim points are calculated. Settings can then be fine-tuned for accurate real world results.

Blueprint your rifle or crossbow scope and calculate aim points at various mags, inclination and weather conditions.



X-ACT

Mac | Windows | iPhone | Android

FEATURES

- Compatible with all Hawke reticles
- Choose a preferred preset suitable for your calibre
- Centrefire | Slug & Sabot | Rimfire | Airgun | Crossbow Bolt
- Choose a preferred reticle for your shooting requirements
- Adjust the presets to either work in metric or imperial
- Change zero distances, muzzle velocity and magnification
- Change Ballistic Coefficient (BC)
- Plot your trajectory and find suitable aim points
- Carry out range finding calculations
- Calculate angle effects on aim points (mobile only)

COMPATIBLE WITH

- + iPhone
- + Android
- + Mac
- + Windows

DOWNLOAD FOR FREE

- + App Store
- + Google Play
- + www.hawkeoptics.com



Desktop / Laptop Version
(Mac / Windows)

X-ACT is compatible for all the latest Mac and Windows operating systems

More details can be found on our website at hawkeoptics.com



Mobile Version
(iPhone / Android)

Please visit hawkeoptics.com for help with the compatibility of your device

X-ACT is available on all the latest mobile platforms



RED DOT SIGHTS & LASERS

EASY TO USE.
HARD TO BEAT.

RED DOT SIGHTS & LASERS

Whether being used for target or hunting situations, red dots and lasers are growing in popularity and Hawke has your needs covered with a variety of products to fit virtually any application.

Offering both tube style and reflex style red dot sights, Hawke has the red dot for your application. For your hunting rifle (driven hunt/wild boar), AR, shotgun, target pistol or airgun, there is a red dot to fit.

Additionally, three designs of laser and illumination devices help customize your favourite set-up. The foregrip design provides a combination illumination and laser device that improves weapon stability and accuracy. A similar

combination can be mounted on a forward rail to be operated by a remote switch or thumb switch on the unit.

Finally, laser or laser/light combo units can be mounted to the scope body, or on a rail system.

Red dots and lasers provide the ultimate in tactical or hunting flexibility. With multiple options, Hawke offers hunters and shooters similar levels of adaptability.



REFLEX DOTS

Red IR | Waterproof

FEATURES

- 5 MOA red dot with 6 stage brightness control (I2 I31)
- 5 MOA red dot with auto brightness (I2 I33)
- 5 MOA red dot with 5 stage brightness control (I2 I34)
- Wide view (I2 I34) – 20% wider than standard models
- 25 layer multi-coated optics for maximum clarity
- Parallax error free from 10yds/9m
- Ideal for use on pistols, ARs and hunting rifles
- Ultra compact and lightweight aluminium construction
- Shock and fog proof – designed to withstand high recoil
- Hawke two year warranty

SUPPLIED WITH

- + Batteries
- + Lens cloth
- + Hex tool



NEW



NEW



I2 I31
1x25
6 Stage Brightness
Weaver Rail
£129.99

I2 I33
1x25
Auto Brightness
Weaver Rail
£139.99

I2 I34
1x30 (Wide View)
5 Stage Brightness
Weaver Rail
£149.99



RED DOT SIGHTS

Red IR | Waterproof

FEATURES

- 4 MOA red dot with 11 stage brightness control
- 4 MOA red dot with 3 stage brightness control (12 100)
- 25 layer multi-coated optics for maximum clarity
- Supplied with mounts – ready straight from the box
- Parallax error free from 10yds/9m
- Ideal for use on pistols, ARs and hunting rifles
- High quality aluminium construction
- Ultra lightweight ABS construction (12 100)
- Nitrogen purged – water, shock and fog proof
- Hawke two year warranty



12 100

1x30

30mm

Weaver/9-11mm Ring

£22.99



12 110

1x25

1 Inch

9-11mm Rings

£39.99



12 122

1x30

30mm

Weaver Rings

£49.99

SUPPLIED WITH

- + Batteries
- + Lens cloth
- + Hex tool

RED DOT SIGHTS

Red/Green IR | Waterproof

FEATURES

- 5 MOA red and green dot with 5 levels of brightness
- 25 layer multi-coated optics for maximum clarity
- Integrated mounts – ready straight from the box
- Parallax error free from 10yds/9m
- Ideal for use on pistols, ARs and hunting rifles
- High quality aluminium construction
- Nitrogen purged – water, shock and fog proof
- Hawke two year warranty



12 120

1x30

30mm

9-11mm Rail

£49.99



12 121

1x30

30mm

Weaver Rail

£49.99

SUPPLIED WITH

- + Batteries
- + Lens cloth



LASERS & LEDS

FEATURES - LASER/LED ILLUMINATOR FOREGRIP

Ergonomic design helps to improve weapon handling
Wing-nut weaver/picatinny clamp for quick installation
Robust aluminium construction – precision engineered

SUPPLIED WITH

- + CR123A batteries
- + Hex tool



FEATURES - LASER/LED ILLUMINATOR

Remote stock switch for tactical operation
Weaver/picatinny clamp for quick installation
Ultra tough composite plastic construction

SUPPLIED WITH

- + Remote switch
- + 1 inch/30mm mount
- + CR123A batteries
- + Hex tools

43 III
Laser/LED Foregrip

Red Laser

165yd/150m LED

Weaver

£89.99

43 I10
Laser/LED

Red Laser

165yd/150m LED

Weaver/1 inch/30mm

£79.99

LASERS & LEDS

FEATURES - LASER/LED ILLUMINATOR KIT

Two remote stock switches for tactical operation
 High performance LED and 5mW laser in red or green
 Precision engineered aluminium construction

SUPPLIED WITH

- + Remote switches + 1 inch/30mm mount
- + CRI23A batteries + Hex tools



43 102
Laser/LED Kit

Red Laser
 55yd/50m LED
 1 inch/30mm

£79.99



43 103
Laser/LED Kit

Green Laser
 55yd/50m LED
 1 inch/30mm

£99.99

FEATURES - LASER KIT

Remote stock switch for tactical operation
 High performance 5mW laser available in red or green
 Precision engineered aluminium construction

SUPPLIED WITH

- + Remote switch + 1 inch/weaver mount
- + CRI23A battery + Hex tools



43 100
Laser Kit

Red Laser

Weaver/1 inch

£34.99



43 101
Laser Kit

Green Laser

Weaver/1 inch

£59.99



22 220

Weaver/Picatinny

Compatible with
43 102/43 103

£16.99



22 215

30mm

Compatible with
43 100/43 101

£6.99

ACCESSORIES

Sunshades Standard

OVERVIEW

When shooting in bright conditions like sunshine, over snow or over water. Sunshades reduce glare and help to cut down internal reflections. Measuring 4 inches/100mm long (2 inches/50mm for 62 001 and 62 002), tube sunshades are threaded on each end enabling them to be 'stacked' creating a longer shade.

COMPATIBILITY

Compatible with 2015 collection onwards. Please note, sunshades are not compatible with Frontier 30 SF and Frontier 30 riflescopes or XB/XBI crossbow scopes.



62 001	62 002	62 003	62 004	62 005
Objective: 32mm	Objective: 32mm AO	Objective: 40mm	Objective: 40mm AO	Objective: 42mm
£13.99	£13.99	£14.99	£14.99	£15.99
62 007	62 009	62 010	62 012	62 013
Objective: 44mm	Objective: 50mm	Objective: 50mm AO	Objective: 56mm	Objective: 60mm
£15.99	£16.99	£16.99	£16.99	£18.99



ACCESSORIES

Sunshades Honeycomb

OVERVIEW

When shooting in bright conditions like sunshine, over snow or over water, sunshades reduce glare and help to cut down internal reflections. Due to their design, honeycomb sunshades are a fraction of the length of regular sunshades, only 9mm deep. The other key advantage is they stop any reflections from the objective lens reaching the game, making the scope more covert in a hunting situation.

COMPATIBILITY

Compatible with 2015 collection onwards. Please note, honeycomb sunshades are not compatible with Frontier 30 SF and Frontier 30 riflescopes or XB/XBI crossbow scopes.



62 100	62 101	62 102	62 103	62 104
Objective: 24mm	Objective: 32mm	Objective: 32mm AO	Objective: 40mm	Objective: 40mm AO
£20.99	£21.99	£21.99	£23.99	£23.99
62 105	62 107	62 109	62 110	62 112
Objective: 42mm	Objective: 44mm	Objective: 50mm	Objective: 50mm AO	Objective: 56mm
£23.99	£23.99	£24.99	£24.99	£26.99

ACCESSORIES

Flip-Up Covers

OVERVIEW

Produced from high grade aluminium, Hawke metal flip-up covers are designed for the objective and ocular lenses. Easy to operate using one hand, the covers are designed to protect the lenses when not in use. Covers are easily installed and can be securely positioned to open in any desired direction.

COMPATIBILITY

Compatible with 2015 collection onwards. Please note, flip-up covers are not compatible with Frontier 30 SF and Frontier 30 riflescopes or XB/XBI crossbow scopes.



61 000	61 001	61 002	61 003
Objective: 24mm	Objective: 32mm	Objective: 32mm AO	Objective: 40mm
£16.99	£18.99	£18.99	£19.99
61 004	61 005	61 007	61 009
Objective: 40mm AO	Objective: 42mm	Objective: 44mm	Objective: 50mm
£19.99	£19.99	£19.99	£20.99



61 050	61 051	
Ocular: Vantage (1 Inch)	Ocular: (All Other Models)	
£18.99	£18.99	
61 010	61 012	61 013
Objective: 50mm AO	Objective: 56mm	Objective: 60mm
£20.99	£21.99	£34.99

ACCESSORIES

Sunshade/Flip-Up Adaptors

OVERVIEW

Hawke sunshade/flip-up adaptors have been designed to allow the use of threaded accessories on riflescopes that are not currently compatible with our range of sunshades and flip-up covers.

COMPATIBILITY

Compatible with pre 2015 Sidewinder 30 SF and Frontier 30 SF objective. Please note, adaptors are not compatible with the Frontier 30 SF ocular.



62 191

Objective: 42mm

£6.99

62 192

Objective: 50mm

£6.99

62 193

Objective: 56mm

£6.99

62 190

Ocular: Sidewinder 30 SF

£6.99



ACCESSORIES

Side Wheels

OVERVIEW

To get the most out of side wheel compatible scopes, a range of different size side wheels are available. The pointer can be used on 30mm scopes for a more precise reading.

COMPATIBILITY

There are two types of attachment for the side wheels.
Attachment Type 1: Endurance 30 SF, Endurance SF, Airmax 30 SF and Sidewinder ED.
Attachment Type 2: Sidewinder 30 SF.



63 000

Side Wheel

2 Inch/50mm

Attachment: Type 2

£24.99



63 001

Side Wheel

4 Inch/100mm

Attachment: Type 2

£31.99



63 010

Side Wheel

1.5 Inch/40mm

Attachment: Type 1

£24.99



63 011

Side Wheel

4 Inch/100mm

Attachment: Type 1

£31.99



63 012

Side Wheel

4 Inch/100mm

Attachment: Type I

£32.99



63 013

Side Wheel

6 Inch/150mm

Attachment: Type I

£44.99



63 002

Pointer

Fits 30mm Dia.

£27.99

MATCH RING MOUNTS

FEATURES

Double hex screws to hold your scope firmly in place
 9-11mm models are fitted with a recoil stop pin
 Reversible dove tail clamp that fits 9-11mm and 3/8 inch
 Weaver version features crossbar for additional security
 Internal cushion tape prevents marking and damage
 High grade aluminium anodized in matte black



> MORE INFORMATION ON PAGE 106



22 112

Weaver

1 Inch Diameter

Low

£18.99



22 113

Weaver

1 Inch Diameter

Medium

£19.99



22 114

Weaver

1 Inch Diameter

High

£20.99



22 115

Weaver

30mm Diameter

Low

£23.99



22 116

Weaver

30mm Diameter

Medium

£24.99



22 117

Weaver

30mm Diameter

High

£25.99



22 104

9-11mm

1 Inch Diameter

Medium

£24.99



22 105

9-11mm

1 Inch Diameter

High

£25.99



22 111

9-11mm

30mm Diameter

High

£26.99



22 100

9-11mm

1 Inch Diameter

Low

£18.99



22 160

Mount Inserts

1 Inch Diameter

25 MOA Elevation

£9.99



22 161

Mount Inserts

30mm Diameter

25 MOA Elevation

£9.99



22 101

9-11mm

1 Inch Diameter

Medium

£19.99



22 102

9-11mm

1 Inch Diameter

High

£20.99



22 107

9-11mm

30mm Diameter

Medium

£24.99



22 108

9-11mm

30mm Diameter

High

£25.99



22 150

Picatinny Ring Caps

1 Inch Diameter

£13.99



22 151

Picatinny Ring Caps

30mm Diameter

£13.99

EXTENSION RING MOUNTS

FEATURES

Available in 1 inch or 2 inch extension configuration
 High – to accommodate larger objective scopes
 Double hex screws to hold your scope firmly in place
 9-11mm models are fitted with a recoil stop pin
 Reversible dove tail clamp that fits 9-11mm and 3/8 inch
 Weaver version features crossbar for additional security
 Internal cushion tape prevents marking and damage
 High grade aluminium anodized in matte black



> MORE INFORMATION ON PAGE 107



22 124

Weaver

1 Inch Diameter

1 Inch Extension

£27.99



22 125

Weaver

1 Inch Diameter

2 Inch Extension

£31.99



22 126

Weaver

30mm Diameter

1 Inch Extension

£27.99



22 127

Weaver

30mm Diameter

2 Inch Extension

£31.99



22 160

Mount Inserts

1 Inch Diameter

25 MOA Elevation

£9.99



22 161

Mount Inserts

30mm Diameter

25 MOA Elevation

£9.99



22 120

9-11mm

1 Inch Diameter

1 Inch Extension

£27.99



22 121

9-11mm

1 Inch Diameter

2 Inch Extension

£30.99



22 122

9-11mm

30mm Diameter

1 Inch Extension

£27.99



22 123

9-11mm

30mm Diameter

2 Inch Extension

£30.99



22 150

Picatinny Ring Caps

1 Inch Diameter

£13.99



22 151

Picatinny Ring Caps

30mm Diameter

£13.99

ADJUSTABLE RING MOUNTS

FEATURES

Adjustable elevation – compensation of +/- 30 MOA
 High – to accommodate larger objective scopes
 Double torx screws to hold your scope firmly in place
 9-11mm models are fitted with a recoil stop pin
 Reversible dove tail clamp that fits 9-11mm and 3/8 inch
 Weaver version features crossbar for additional security
 Internal cushion tape prevents marking and damage
 High grade aluminium anodized in matte black



> MORE INFORMATION ON PAGE 107



22 300

9-11mm

1 Inch Diameter

High

£29.99



22 301

9-11mm

30mm Diameter

High

£35.99



22 302

Weaver

1 Inch Diameter

High

£29.99



22 303

Weaver

30mm Diameter

High

£35.99



ADAPTOR BASES & BUBBLE LEVELS



22 400

11mm (Airgun) / 3/8" (Rifle)
to Weaver / Picatinny

6in/152mm

3.3oz/93g

£22.99



22 401

11mm (Airgun) / 3/8" (Rifle)
to Weaver / Picatinny

6.1in/155mm

3.3oz/93g

£22.99



22 402

11mm (Airgun) / 3/8" (Rifle)
to Weaver / Picatinny Ext.

6.8in/172mm

3.4oz/96g

£24.99



22 403

3/8" (Rifle) to Weaver
with Elevation

5.4in/137mm

3.9oz/110g

£22.99



22 404

3/8" (Rifle) to Weaver
Ext.

7.4in/187mm

4.2oz/119g

£24.99



22 405

3/8" (Rifle) to
Weaver

3in/76mm

0.9oz/25g

£22.99



22 406

Universal Weaver Base
(with M4 Screws)

4.8in/122mm

1.3oz/37g

£13.99



64 100

Bubble Level -
9-11mm

1.8in/46mm

0.3oz/8g

£15.99



64 101

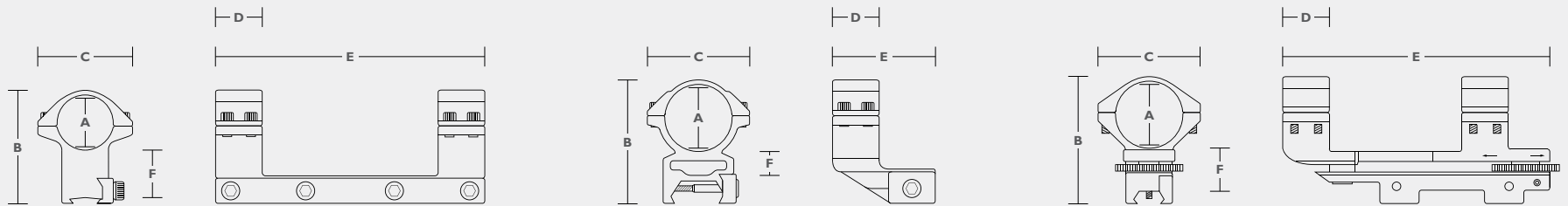
Bubble Level -
Weaver

2.2in/56mm

0.5oz/14g

£15.99

Code	Model	A		B		C		D		E		F		Weight	
		in	mm	in	mm	in	mm	in	mm	in	mm	in	mm	oz	g
22 100	Match 9-11mm Low	1	25.4	1.6	40	1.6	41	0.8	21	-	-	0.4	10	2.5	71
22 101	Match 9-11mm Medium	1	25.4	1.7	43	1.6	41	0.8	21	-	-	0.5	13	3.2	91
22 102	Match 9-11mm High	1	25.4	2	51	1.6	41	0.8	21	-	-	0.9	22	3.6	102
22 104	Match 9-11mm Medium (1 Piece)	1	25.4	1.7	43	1.6	41	0.8	21	4.7	120	0.5	13	4.9	139
22 105	Match 9-11mm High (1 Piece)	1	25.4	2	51	1.6	41	0.8	21	4.7	120	0.9	22	5.9	167
22 107	Match 9-11mm Medium	1.2	30	1.8	45	1.9	47	0.8	21	-	-	0.4	11	3.1	88
22 108	Match 9-11mm High	1.2	30	2	50	1.9	47	0.8	21	-	-	0.7	17	3.6	102
22 111	Match 9-11mm High (1 Piece)	1.2	30	2	50	1.9	47	0.8	21	4.7	120	0.7	17	6.1	173
22 112	Match Weaver Low	1	25.4	1.6	40	1.6	41	0.8	21	-	-	0.2	6	2.5	71
22 113	Match Weaver Medium	1	25.4	1.7	44	1.6	41	0.8	21	-	-	0.4	10	2.9	82
22 114	Match Weaver High	1	25.4	1.9	49	1.6	41	0.8	21	-	-	0.6	14	2.9	82
22 115	Match Weaver Low	1.2	30	1.7	44	1.9	47	0.8	21	-	-	0.2	5	2.9	82
22 116	Match Weaver Medium	1.2	30	1.9	48	1.9	47	0.8	21	-	-	0.4	9	3.1	88
22 117	Match Weaver High	1.2	30	2.1	53	1.9	47	0.8	21	-	-	0.6	14	3.1	88



Code	Model	A		B		C		D		E		F		Weight	
		in	mm	in	mm	in	mm	in	mm	in	mm	in	mm	oz	g
22 120	Extension 9-11mm (1 Inch Extension)	1	25.4	2	51	1.6	41	0.8	21	1.8	46	0.9	22	3	85
22 121	Extension 9-11mm (2 Inch Extension)	1	25.4	2	51	1.6	41	0.8	21	2.8	71	0.9	22	3.2	92
22 122	Extension 9-11mm (1 Inch Extension)	1.2	30	2	50	1.9	47	0.8	21	1.8	46	0.7	17	4	113
22 123	Extension 9-11mm (2 Inch Extension)	1.2	30	2	50	1.9	47	0.8	21	2.8	71	0.7	17	4.3	122
22 124	Extension Weaver (1 Inch Extension)	1	25.4	2	50	1.6	41	0.8	21	1.8	46	0.6	15	2.5	71
22 125	Extension Weaver (2 Inch Extension)	1	25.4	2	50	1.6	41	0.8	21	2.8	71	0.6	15	2.8	80
22 126	Extension Weaver (1 Inch Extension)	1.2	30	2.1	53	1.9	47	0.8	21	1.8	46	0.6	14	3.5	99
22 127	Extension Weaver (2 Inch Extension)	1.2	30	2.1	53	1.9	47	0.8	21	2.8	71	0.6	14	3.8	108
22 300	Adjustable 9-11mm High	1	25.4	2	51	1.7	44	0.8	21	3.6	91	0.7	18	5.2	147
22 301	Adjustable 9-11mm High	1.2	30	2.3	58	1.8	46	0.8	21	4.7	120	0.7	18	6.2	175
22 302	Adjustable Weaver High	1	25.4	2	51	1.7	44	0.8	21	3.6	91	0.7	18	5	142
22 303	Adjustable Weaver High	1.2	30	2.3	58	1.8	46	0.8	21	4.7	120	0.7	18	6	170





BINOCULARS

SAPPHIRE

Award winning ED optical systems with stunning image reproduction. > p.110

FRONTIER

ED glass and excellent light transmission. You are sure to be blown away by the performance. > p.116

NEW ENDURANCE

Advanced optical systems designed to battle the elements. Tough, strong and waterproof. > p.124

NEW NATURE-TREK

Crisp, clear optics exceeding your expectations. Get closer to your environment. > p.132

NEW VANTAGE

Maximize your view. Value and performance are standard issue. > p.140

SAPPHIRE

FLAWLESS PERFORMANCE.

SAPPHIRE

For high performing optics you need look no further than Sapphire ED. The award winning fully multi-coated optical system carries exceptional features like extra-low dispersion glass objective lenses and dielectric coated prisms.

Working together the results of the entire optical system are outstanding. Elimination of chromatic aberration, high light transmission and exceptional clarity are all noteworthy along with true colour reproduction of the wide view.

Mechanically all operation is smooth and precise. The aluminium engineered focus system features a quick turn

ratio, the eye cups twist up with a precise step and the hinge is perfectly weighted.

All styles within the range are produced with magnesium alloy bodies offering complete component stability as well as high grade soft touch rubbers making the fit and feel sumptuous.

Full size models are available with a green or black finish.



FULLY-MULTI COATED LENSES

Bright, defined images with neutral colour outlines all optical systems in the range. The ED glass ensures image detail is not lost due to chromatic aberration. Flawless performance that will not disappoint.

PRECISION ENGINEERED

High grade materials precision engineered, designed from conception to offer the best performance available. From the magnesium alloy body to the soft touch rubbers, they are a cut above the rest.

TWIST-UP EYE CUP/DIOPTRE

Two stage sculpted twist-up eye cups to set eye relief and a positive feel right eye dioptre dial, with rubber inset, for optimum set up for your eyes.

PRECISION FOCUS

The focus knob offers a smooth precise adjustment and a quick turn ratio making focusing the image effortless.

COMPACT MODELS

A stylish compact pocket sized design with twin hinge and centre dioptre adjustment. Small in size yet large in performance, allowing you to get closer to the view at any destination.

HARD LEATHER CARRY CASE

The classic fine grain real leather hard carry case accompanies all full size binoculars. Finished in tan, the case can be used for travel or storage when the binocular is not in use.



SAPPHIRE ED

ED | DC | FMC | BAK-4 | PC | Waterproof

FEATURES

- Open hinge – exceptional full size optical performance
- Extra-low Dispersion glass for optimum clarity
- Dielectric coatings provide increased light reflectivity
- Fully multi-coated optics to produce sharp images
- Focus knob with 1 turn – close focus 6.6ft/2m
- High resolution phase corrected BAK-4 roof prisms
- Water repellent coating on objective lenses
- Lightweight rubber coated magnesium alloy chassis
- Stay-on lens covers for maximum lens protection
- Twist-up eye cups with position stops for eye relief
- Nitrogen purged – water and fog proof
- Hawke lifetime warranty



SUPPLIED WITH

- + Hard leather case
- + Lens cloth
- + Neck strap
- + Lens covers



39 300

8x43

426ft/142m
@ 1000yds/m

Black

£469.99



39 301

8x43

426ft/142m
@ 1000yds/m

Green

£469.99



39 302

10x43

339ft/113m
@ 1000yds/m

Black

£479.99



39 303

10x43

339ft/113m
@ 1000yds/m

Green

£479.99



SAPPHIRE ED

ED | DC | FMC | BAK-4 | PC | Waterproof

FEATURES

- Top hinge – exceptional mid-size optical performance
- Extra-low Dispersion glass for optimum clarity
- Dielectric coatings provide increased light reflectivity
- Fully multi-coated optics to produce sharp images
- Focus knob with 1.5 turns – close focus 6.6ft/2m
- High resolution phase corrected BAK-4 roof prisms
- Water repellent coating on objective lenses
- Lightweight rubber coated magnesium alloy chassis
- Stay-on lens covers for maximum lens protection
- Twist-up eye cups with position stops for eye relief
- Nitrogen purged – water and fog proof
- Hawke lifetime warranty

SUPPLIED WITH

- Hard leather case
- Lens cloth
- Neck strap
- Lens covers



39 200

8x42

426ft/142m
@ 1000yds/m

Black

£449.99



39 201

8x42

426ft/142m
@ 1000yds/m

Green

£449.99



39 202

10x42

339ft/113m
@ 1000yds/m

Black

£459.99



39 203

10x42

339ft/113m
@ 1000yds/m

Green

£459.99



SAPPHIRE ED

ED | FMC | BAK-4 | PC | Waterproof

FEATURES

- Compact twin hinge design easily fits in your hand
- Extra-low Dispersion glass for optimum clarity
- Fully multi-coated optics to produce sharp images
- Focus knob with 1.9 turns – close focus 5.2ft/1.6m
- High resolution phase corrected BAK-4 roof prisms
- Water repellent coating on objective lenses
- Lightweight magnesium alloy chassis with leatherette
- Twist-up eye cups with position stops for eye relief
- Nitrogen purged – water and fog proof
- Hawke lifetime warranty



SUPPLIED WITH

- + Leather case
- + Lens cloth
- + Neck strap
- + Lens covers



39 100

8x25

357ft/119m
@ 1000yds/m

Black

£199.99



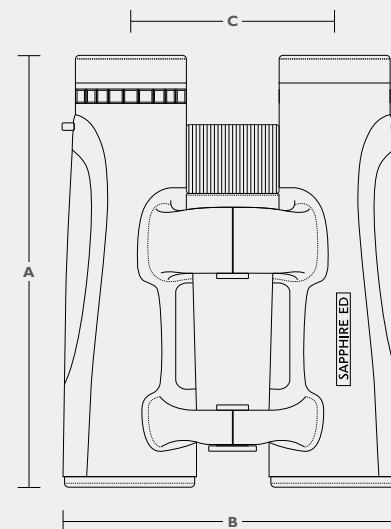
39 101

10x25

285ft/95m
@ 1000yds/m

Black

£209.99



Code	Model	Field of View		Close Focus		Eye Relief		Weight		A		B		C	
		ft @ 1000yds	m @ 1000m	ft	m	in	mm	oz	g	in	mm	in	mm	in	mm
39 300	8x43	426	142	6.6	2	0.7	18	26.7	758	6.5	166	4.4-5.1	111-129	2.2-3	57-75
39 301	8x43	426	142	6.6	2	0.7	18	26.7	758	6.5	166	4.4-5.1	111-129	2.2-3	57-75
39 302	10x43	339	113	6.6	2	0.6	15	26.7	758	6.5	166	4.4-5.1	111-129	2.2-3	57-75
39 303	10x43	339	113	6.6	2	0.6	15	26.7	758	6.5	166	4.4-5.1	111-129	2.2-3	57-75
39 200	8x42	426	142	6.6	2	0.7	18	25.7	730	5.4	137	4.3-5	110-128	2.2-3	57-76
39 201	8x42	426	142	6.6	2	0.7	18	25.7	730	5.4	137	4.3-5	110-128	2.2-3	57-76
39 202	10x42	339	113	6.6	2	0.6	15	25.7	730	5.4	137	4.3-5	110-128	2.2-3	57-76
39 203	10x42	339	113	6.6	2	0.6	15	25.7	730	5.4	137	4.3-5	110-128	2.2-3	57-76
39 100	8x25	357	119	5.2	1.6	0.6	15	8.5	241	4	101	2.6-4.1	65-103	1.5-3	37-75
39 101	10x25	285	95	5.2	1.6	0.5	13	8.5	241	4	101	2.6-4.1	65-103	1.5-3	37-75

FRONTIER

IMMERSE YOURSELF IN SUPERIOR VISION.

FRONTIER

Using a superior optical system, designed around ED glass, the Frontier ED is rapidly gaining a reputation as one of the best binoculars available in today's market.

With stunning colour retention, crisp definition and excellent light transmission, you are sure to be blown away by its performance in the field.

The benefits of the extra-low dispersion glass are clear to see, with controlled chromatic aberration eliminating colour fringing allowing all detail to be clearly visible.

The new 42mm full size and compact 32mm mid-size binoculars reduce weight further while keeping the

exceptional performance. They are durable, but still light for extended use.

The open hinge design offers an exceptional full size optical system enclosed within the stability of a magnesium alloy body construction.

Available in a choice of green or black body, in either 8x or 10x magnification throughout the range.



TWIST-UP EYEPIECES

The contoured twist-up eye pieces with stop positions allow you to set your correct eye relief depending on personal preference or if eye glasses are being used.

EXTRA-LOW DISPERSION GLASS

Reducing chromatic aberration with ED glass, the Frontier binoculars allow every detail to be seen with crisp, clear colour reproduction. Phase corrected prisms and fully multi-coated optics increase brightness even in poor light conditions.



ERGONOMIC DESIGN

When using binoculars for extended periods, flaws in design can quickly become apparent. Ergonomically designed, the Frontier ensures all controls are correctly proportioned. The rubber itself has grip sections, larger on the 43mm objective models and finer on the light weight 42mm and 32mm models. The smooth focus quick ratio knob, fits neatly within easy reach and operates even with gloved hands. Eye cups are contoured and the dioptre is easy to set-up. Supplied with a padded neck strap, retained lens covers and a premium leather case, Frontier binoculars are the complete package.



FRONTIER ED

ED | FMC | BAK-4 | PC | Waterproof

FEATURES

- Extra-low Dispersion glass for optimum clarity
- Fully multi-coated optics to produce sharp images
- Focus knob with 1.5 turns – close focus 6.6ft/2m
- High resolution phase corrected BAK-4 roof prisms
- Lightweight rubber coated magnesium alloy chassis
- Stay-on lens covers for maximum lens protection
- Twist-up eye cups with position stops for eye relief
- Nitrogen purged – water and fog proof
- Hawke lifetime warranty



SUPPLIED WITH

- + Leather case
- + Lens cloth
- + Neck strap
- + Lens covers



38 300

8x43

426ft/142m
@ 1000yds/m

Black

£389.99



38 301

8x43

426ft/142m
@ 1000yds/m

Green

£389.99



38 302

10x43

340ft/113m
@ 1000yds/m

Black

£399.99



38 303

10x43

340ft/113m
@ 1000yds/m

Green

£399.99





FRONTIER ED

ED | FMC | BAK-4 | PC | Waterproof

FEATURES

- Extra-low Dispersion glass for optimum clarity
- Fully multi-coated optics to produce sharp images
- Focus knob with 1.8 turns – close focus from 6.6ft/2m
- High resolution phase corrected BAK-4 roof prisms
- Lightweight rubber coated top hinge chassis
- Stay-on lens covers for maximum lens protection
- Twist-up eye cups with position stops for eye relief
- Nitrogen purged – water and fog proof
- Hawke lifetime warranty



SUPPLIED WITH

- + Leather case
- + Lens cloth
- + Neck strap
- + Lens covers



38 100

8x32

400ft/133m
@ 1000yds/m

Black

£219.99



38 101

8x32

400ft/133m
@ 1000yds/m

Green

£219.99



38 102

10x32

310ft/103m
@ 1000yds/m

Black

£229.99



38 103

10x32

310ft/103m
@ 1000yds/m

Green

£229.99



38 200

8x42

426ft/142m
@ 1000yds/m

Black

£259.99



38 201

8x42

426ft/142m
@ 1000yds/m

Green

£259.99



38 202

10x42

340ft/113m
@ 1000yds/m

Black

£269.99



38 203

10x42

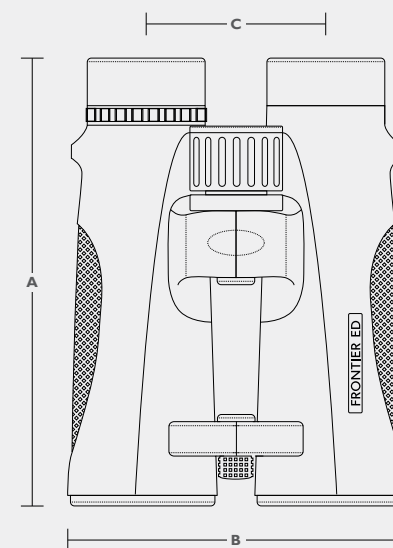
340ft/113m
@ 1000yds/m

Green

£269.99



BINOCULARS FRONTIER



Code	Model	Field of View		Close Focus		Eye Relief		Weight		A		B		C	
		ft @ 1000yds	m @ 1000m	ft	m	in	mm	oz	g	in	mm	in	mm	in	mm
38 300	8x43	426	142	6.6	2	0.7	18	26.2	743	6.7	169	4.4-5.2	111-131	2.2-3	56-76
38 301	8x43	426	142	6.6	2	0.7	18	26.2	743	6.7	169	4.4-5.2	111-131	2.2-3	56-76
38 302	10x43	340	113	6.6	2	0.6	15	26.2	743	6.7	169	4.4-5.2	111-131	2.2-3	56-76
38 303	10x43	340	113	6.6	2	0.6	15	26.2	743	6.7	169	4.4-5.2	111-131	2.2-3	56-76
38 100	8x32	400	133	6.6	2	0.6	15	17.6	500	5	126	4-4.6	102-118	2.4-3	60-75
38 101	8x32	400	133	6.6	2	0.6	15	17.6	500	5	126	4-4.6	102-118	2.4-3	60-75
38 102	10x32	310	103	8.2	2.5	0.6	15	17.6	500	5	126	4-4.6	102-118	2.4-3	60-75
38 103	10x32	310	103	8.2	2.5	0.6	15	17.6	500	5	126	4-4.6	102-118	2.4-3	60-75
38 200	8x42	426	142	6.6	2	0.7	18	24	680	5.7	144	4.4-5.1	112-129	2.2-3	57-75
38 201	8x42	426	142	6.6	2	0.7	18	24	680	5.7	144	4.4-5.1	112-129	2.2-3	57-75
38 202	10x42	340	113	8.2	2.5	0.6	15	24	680	5.7	144	4.4-5.1	112-129	2.2-3	57-75
38 203	10x42	340	113	8.2	2.5	0.6	15	24	680	5.7	144	4.4-5.1	112-129	2.2-3	57-75

ENDURANCE

GO THE EXTRA MILE.
BUT NOT UNTIL YOU SEE WHAT'S THERE.



ENDURANCE

With stunning optics providing crisp, clear and bright images with enhanced light transmission, you will not be surprised that the Endurance range is head and shoulders above all competition in their price range.

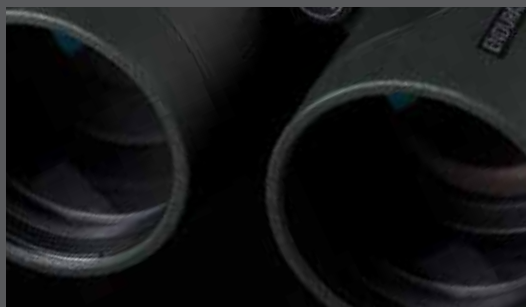
Where ED glass is utilised the optics show reduced colour fringing. The fully multi-coated lenses provide high resolution images which ensure no details are lost when viewing at long or short distances down to 2m.

The effortless focusing and impressive depth of field makes these binoculars quick and easy to use. Being water and fog proof with a high grip rubber coated body, Endurance are designed to battle the elements.



RUBBER TEXTURED GRIP

Textured high grip rubber body, easy to use in all weather conditions. Fully water and fog proof.



ADVANCED OPTICAL SYSTEM

The high resolution image, from the fully multi-coated optical systems ensure no detail is lost when viewing at long or short distances – down to 2m.



TWIST UP EYEPIECE

All models feature twist-up eyepieces designed to help set the correct eye relief which in turn makes for comfortable viewing.



COMPACT FOLDAWAY DESIGN

The Endurance compact series features a waterproof twin hinge magnesium alloy body with leatherette finish that folds to pocket size.



PRECISION FOCUS

The effortless focusing and impressive depth of field makes these binoculars quick and easy to use.



STAY ON COVERS

Complete with stay on protective lens caps, protective carry case and comfort neck strap.



ENDURANCE ED

ED | FMC | BAK-4 | PC | Waterproof

FEATURES

- Extra-low Dispersion glass for optimum clarity
- Fully multi-coated optics to produce sharp images
- Focus knob with 1.2 turns – close focus from 6.6ft/2m
- High resolution phase corrected BAK-4 roof prisms
- Lightweight rubber coated top hinge construction
- Stay-on lens covers for maximum lens protection
- Twist-up eye cups with position stops for eye relief
- Nitrogen purged – water and fog proof
- Hawke lifetime warranty



36 200

8x32

388ft/129m
@ 1000yds/m

Black

£199.99



36 201

8x32

388ft/129m
@ 1000yds/m

Green

£199.99



36 202

10x32

304ft/101m
@ 1000yds/m

Black

£209.99



36 203

10x32

304ft/101m
@ 1000yds/m

Green

£209.99



36 204

8x42

388ft/129m
@ 1000yds/m

Black

£229.99



36 205

8x42

388ft/129m
@ 1000yds/m

Green

£229.99



SUPPLIED WITH

- + Carry case
- + Neck strap
- + Lens covers
- + Lens cloth



36 206

10x42

304ft/101m
@ 1000yds/m

Black

£239.99



36 207

10x42

304ft/101m
@ 1000yds/m

Green

£239.99



36 208

10x50

304ft/101m
@ 1000yds/m

Black

£269.99



36 209

10x50

304ft/101m
@ 1000yds/m

Green

£269.99



36 210

12x50

246ft/82m
@ 1000yds/m

Black

£279.99



36 211

12x50

246ft/82m
@ 1000yds/m

Green

£279.99

ENDURANCE

FMC | BAK-4 | PC | Waterproof

FEATURES

- Optimum exit pupil for low light performance
- Fully multi-coated optics to produce sharp images
- Focus knob with 1.5 turns – close focus 6.6ft/2m
- High resolution phase corrected BAK-4 roof prisms
- Robust rubber coated heavy-duty chassis
- Stay-on lens covers for maximum lens protection
- Twist-up eye cups with position stops for eye relief
- Nitrogen purged – water and fog proof
- Hawke lifetime warranty



SUPPLIED WITH

- + Carry case
- + Neck strap
- + Lens covers
- + Lens cloth



36 220

8x56

351ft/117m
@ 1000yds/m

Green

£279.99



36 221

10x56

321ft/107m
@ 1000yds/m

Green

£289.99



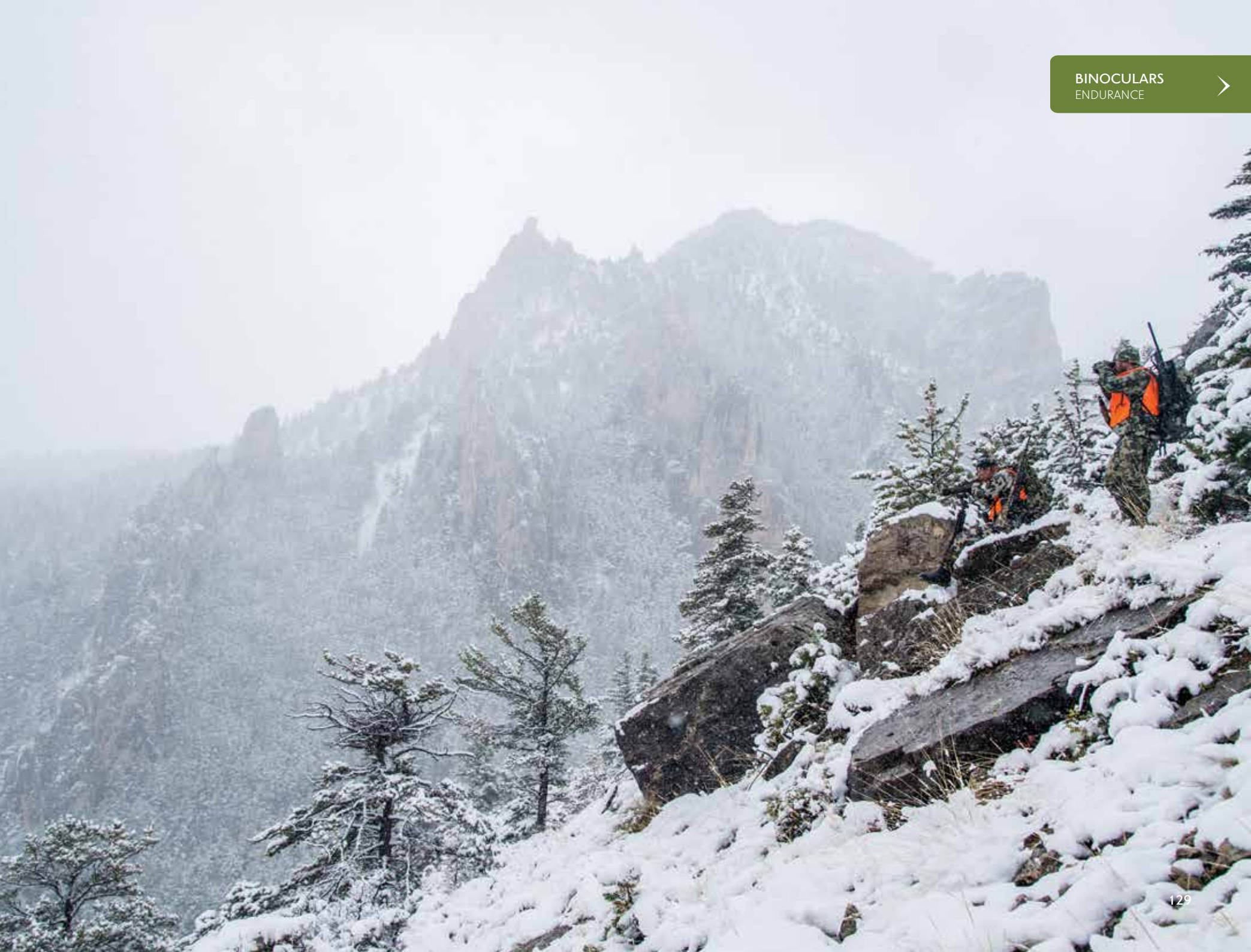
36 222

12x56

288ft/96m
@ 1000yds/m

Green

£299.99





ENDURANCE

FMC | BAK-4 | PC | Waterproof

FEATURES

- Compact twin hinge design easily fits in your hand
- Fully multi-coated optics to produce sharp images
- Focus knob with 1.7 turns – close focus 5.9ft/1.8m
- High resolution phase corrected BAK-4 roof prisms
- Lightweight magnesium alloy chassis with leatherette
- Twist-up eye cups with position stops for eye relief
- Nitrogen purged – water and fog proof
- Hawke lifetime warranty



SUPPLIED WITH

- + Carry case
- + Neck strap
- + Lens covers
- + Lens cloth



36 100

8x25

357ft/119m
@ 1000yds/m

Black

£119.99



36 102

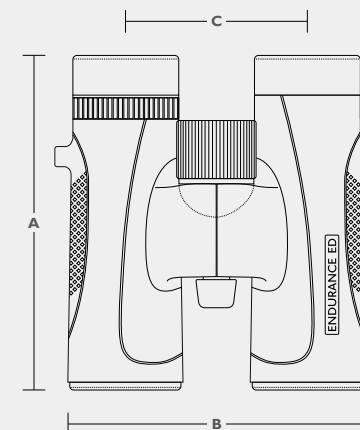
10x25

285ft/95m
@ 1000yds/m

Black

£129.99

BINOCULARS ENDURANCE



Code	Model	Field of View		Close Focus		Eye Relief		Weight		A		B		C	
		ft @ 1000yds	m @ 1000m	ft	m	in	mm	oz	g	in	mm	in	mm	in	mm
36 200	8x32	388	129	6.6	2	0.7	18	19	539	5.3	134	3.9-4.7	99-119	2.2-3	55-76
36 201	8x32	388	129	6.6	2	0.7	18	19	539	5.3	134	3.9-4.7	99-119	2.2-3	55-76
36 202	10x32	304	101	6.6	2	0.5	13	19	539	5.3	134	3.9-4.7	99-119	2.2-3	55-76
36 203	10x32	304	101	6.6	2	0.5	13	19	539	5.3	134	3.9-4.7	99-119	2.2-3	55-76
36 204	8x42	388	129	6.6	2	0.7	18	23	652	5.6	143	4.1-4.9	105-125	2.1-2.9	53-73
36 205	8x42	388	129	6.6	2	0.7	18	23	652	5.6	143	4.1-4.9	105-125	2.1-2.9	53-73
36 206	10x42	304	101	6.6	2	0.5	13	23	652	5.6	143	4.1-4.9	105-125	2.1-2.9	53-73
36 207	10x42	304	101	6.6	2	0.5	13	23	652	5.6	143	4.1-4.9	105-125	2.1-2.9	53-73
36 208	10x50	304	101	8.2	2.5	0.7	18	28	794	6.5	165	4.6-5.2	118-133	2.4-3	60-75
36 209	10x50	304	101	8.2	2.5	0.7	18	28	794	6.5	165	4.6-5.2	118-133	2.4-3	60-75
36 210	12x50	246	82	8.2	2.5	0.5	13	28	794	6.5	165	4.6-5.2	118-133	2.4-3	60-75
36 211	12x50	246	82	8.2	2.5	0.5	13	28	794	6.5	165	4.6-5.2	118-133	2.4-3	60-75
36 220	8x56	351	117	8.2	2.5	0.9	23	35.4	1005	6.4	163	5-5.7	127-144	2.4-3	60-76
36 221	10x56	321	107	8.2	2.5	0.8	20	36.7	1040	6.3	161	5-5.7	127-144	2.4-3	60-76
36 222	12x56	288	96	8.2	2.5	0.6	15	36.9	1045	6.2	157	5-5.7	127-144	2.4-3	60-76
36 100	8x25	357	119	5.9	1.8	0.6	15	8.3	234	4	102	2.5-4.2	63-106	1.3-3	34-77
36 102	10x25	285	95	5.9	1.8	0.6	15	8.3	234	4	102	2.5-4.2	63-106	1.3-3	34-77

NATURE-TREK

EXCEED YOUR EXPECTATIONS.



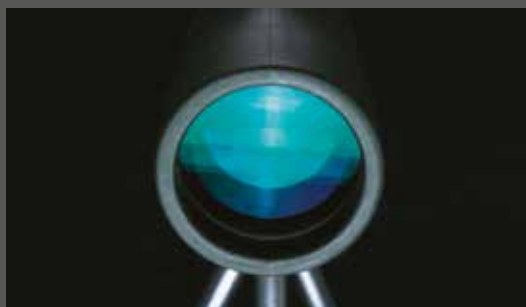
NATURE-TREK

The Nature-Trek family has been sculpted to allow you to get closer to the environment wherever and however you travel. The range has been produced in a shock resistant polycarbonate waterproof body, providing a robust yet lightweight package.

Optics are crisp and clear with notable natural colour reproduction. The smooth and precise rubber focusing wheel fits neatly against fingers and allows the image to focus at short distances down to 2m. The high grip green colour rubber armour ensures a secure hold in all weather conditions.

Nature-Trek offers a complete range of binoculars from the very portable 25mm models up to the oversized 50mm models, ideally suited to low light conditions where a large exit pupil diameter is required.

Included in the range are two monoculars, offering a superb viewing experience in an exceptionally compact package.



HIGH QUALITY CONSTRUCTION

An ultra modern design encased in a textured green rubber. The robust construction protects against water, fogging and accidental drops.

PRECISION FOCUS

Smooth and precise focusing with impressive depth of field ensure no details are lost when viewing at long or short distances.

FULLY MULTI-COATED OPTICS

Every lens is fully multi-coated on both sides to ensure a bright, high resolution image that offers great light transmission and improved contrast.

MONOCULAR

Featuring the same high performance optics as in the Nature-Trek binoculars, with the added versatility of a compact design. Supplied with a mini tripod.

TWIST-UP EYE CUPS

Every Nature-Trek binocular features twist-up eye cups with three positions that allow the eye relief to be set correctly and ensure a full field of view.

COMPACT MODELS

The 25mm models are ideal for casual nature observers. They use the same optical system as the full size models but in a compact design.



NATURE-TREK

FMC | BAK-4 | Waterproof



FEATURES

- Ultra-modern top hinge design
- Fully multi-coated optics to produce sharp images
- Focus knob with 2 turns – close focus from 6.6ft/2m
- High resolution BAK-4 roof prisms
- Lightweight and durable rubber coated chassis
- Stay-on lens covers for maximum lens protection
- Twist-up eye cups with position stops for eye relief
- Nitrogen purged – water and fog proof
- Hawke lifetime warranty



35 100

8x32

388ft/129m
@ 1000yds/m

Green

£129.99



35 101

10x32

304ft/101m
@ 1000yds/m

Green

£139.99



35 102

8x42

388ft/129m
@ 1000yds/m

Green

£149.99



35 103

10x42

304ft/101m
@ 1000yds/m

Green

£159.99



35 104

10x50

304ft/101m
@ 1000yds/m

Green

£169.99



35 105

12x50

246ft/82m
@ 1000yds/m

Green

£179.99

SUPPLIED WITH

- + Carry case
- + Neck strap
- + Lens covers
- + Lens cloth



NATURE-TREK

FMC | BAK-4 | Waterproof

FEATURES

- Compact top hinge design easily fits in your hand
- Fully multi-coated optics to produce sharp images
- Focus knob with 0.8 turns – close focus from 6.6ft/2m
- High resolution BAK-4 roof prisms
- Lightweight and durable rubber coated chassis
- Twist-up eye cups with position stops for eye relief
- Nitrogen purged – water and fog proof
- Hawke lifetime warranty



SUPPLIED WITH

- + Carry case
- + Neck strap
- + Lens covers
- + Lens cloth

NEW



35 051

8x25

356ft/119m
@ 1000yds/m

Green

£89.99

NEW



35 053

10x25

288ft/96m
@ 1000yds/m

Green

£94.99





NATURE-TREK

FMC | BAK-4 | Waterproof


FEATURES

- Monocular design compact – ideal for travel
- Fully multi-coated optics to produce sharp images
- Focus knob with 2.2 turns – close focus 8.2ft/2.5m
- High resolution BAK-4 roof prism
- Lightweight and durable rubber coated chassis
- Stay-on objective lens cover
- Twist-up eye cup with position stops (10x50 only)
- Nitrogen purged – water and fog proof
- Hawke lifetime warranty



SUPPLIED WITH

- + Carry case
- + Mini tripod
- + Lens covers
- + Lens cloth



35 200

10x50

304ft/101m
@ 1000yds/m

Green

£79.99



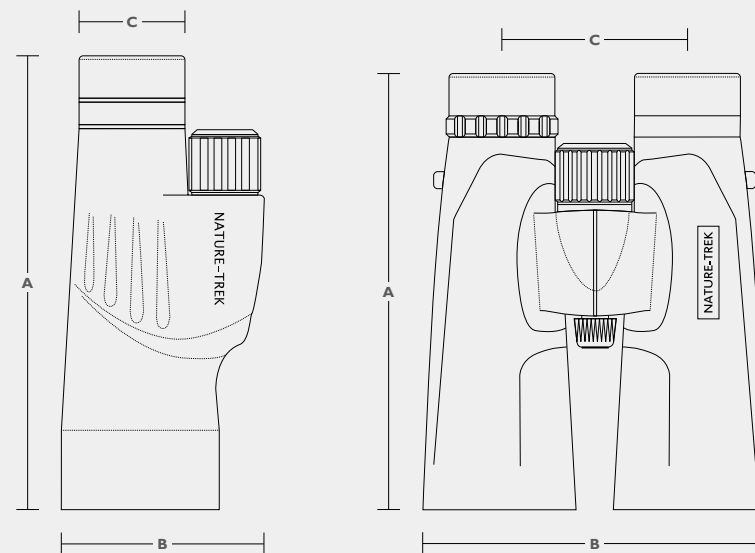
35 201

15x50

199ft/66m
@ 1000yds/m

Green

£84.99



Code	Model	Field of View		Close Focus		Eye Relief		Weight		A		B		C	
		ft @ 1000yds	m @ 1000m	ft	m	in	mm	oz	g	in	mm	in	mm	in	mm
35 100	8x32	388	129	6.6	2	0.7	18	18.4	521	5	128	3.9-4.6	99-118	2.2-3	55-75
35 101	10x32	304	101	6.6	2	0.5	13	18.4	521	5	128	3.9-4.6	99-118	2.2-3	55-75
35 102	8x42	388	129	6.6	2	0.7	18	22.5	638	5.6	142	4.2-4.9	106-125	2.2-3	56-75
35 103	10x42	304	101	6.6	2	0.5	13	22.5	638	5.6	142	4.2-4.9	106-125	2.2-3	56-75
35 104	10x50	304	101	8.2	2.5	0.7	18	29.2	829	6.4	163	4.8-5.2	121-133	2.4-3	62-75
35 105	12x50	246	82	8.2	2.5	0.5	13	29.2	829	6.4	163	4.8-5.2	121-133	2.4-3	62-75
35 051	8x25	356	119	6.6	2	0.5	13	10.4	295	4.2	106	3.5-4.2	88-106	2.1-2.8	54-72
35 053	10x25	288	96	6.6	2	0.5	13	10.4	295	4.2	106	3.5-4.2	88-106	2.1-2.8	54-72
35 200	10x50	304	101	8.2	2.5	0.7	18	14.6	415	6.4	163	2.4	61	-	-
35 201	15x50	199	66	8.2	2.5	0.4	10	14.6	415	6.4	163	2.4	61	-	-

VANTAGE

MAXIMISE YOUR VIEW.



VANTAGE

Designed to maximize value and performance, without breaking the bank. Using a waterproof chassis and fully coated optical system, Vantage binoculars are the perfect choice for casual nature observers.

The fully coated optical systems are encased in a polycarbonate body. Image reproduction is clear with true colour. The rubber armour features a rugged feel chunky grip available in green or grey.

A stylish package at an affordable price, the Vantage range comes complete with everything required for an incredible viewing experience.



TWIST-UP EYE CUPS

Three stage twist-up eye cups on both full size and compact Vantage models allows you to set the correct eye relief for a full field of view.

COMPACT MODELS

25mm models utilise the same fully coated optics as the full size range. Designed with portability in mind, the twin hinge chassis easily fits into your pocket.

FULLY COATED OPTICS

Vantage optical systems feature aluminium coated BAK-4 prisms which are highly reflective, ensuring you receive an image that is bright and clear.

HIGH QUALITY CONSTRUCTION

Made to be rugged and durable, the Vantage range features a rubber chunky grip texture that surrounds a waterproof polycarbonate chassis.



VANTAGE

FC | BAK-4 | Waterproof

FEATURES

- Fully coated optics produce clear images
- Focus knob with 2.4 turns – close focus 16.4ft/5m
- High resolution BAK-4 roof prisms
- Lightweight and durable rubber coated chassis
- Stay-on lens covers for maximum lens protection
- Twist-up eye cups with position stops for eye relief
- Nitrogen purged – water and fog proof
- Hawke lifetime warranty



SUPPLIED WITH

- + Carry case
- + Neck strap
- + Lens covers
- + Lens cloth



34 220

8x42

345ft/115m
@ 1000yds/m

Green

£89.99



34 221

8x42

345ft/115m
@ 1000yds/m

Grey

£89.99



34 222

10x42

300ft/100m
@ 1000yds/m

Green

£99.99



34 223

10x42

300ft/100m
@ 1000yds/m

Grey

£99.99













VANTAGE

FC | BAK-4 | Waterproof



FEATURES

- Compact twin hinge design easily fits in your hand
- Fully coated optics produce clear images
- Focus knob with 1.8 turns – close focus 19.7ft/6m
- High resolution BAK-4 roof prisms
- Lightweight and durable rubber coated chassis
- Twist-up eye cups with position stops for eye relief
- Nitrogen purged – water and fog proof
- Hawke lifetime warranty

			
			
34 200	34 201	34 202	34 203
8x25	8x25	10x25	10x25
356ft/119m @ 1000yds/m	356ft/119m @ 1000yds/m	303ft/101m @ 1000yds/m	303ft/101m @ 1000yds/m
Green	Grey	Green	Grey
£74.99	£74.99	£77.99	£77.99



NEW



34 204

12x25

246ft/82m
@ 1000yds/m

Green

£79.99

NEW



34 205

12x25

246ft/82m
@ 1000yds/m

Grey

£79.99

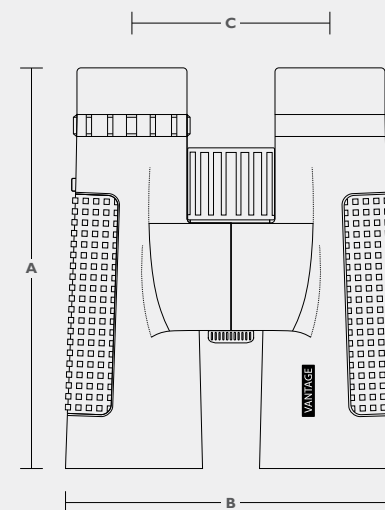
SUPPLIED WITH

- + Carry case
- + Neck strap
- + Lens covers
- + Lens cloth



BINOCULARS

VANTAGE



Code	Model	Field of View		Close Focus		Eye Relief		Weight		A		B		C	
		ft @ 1000yds	m @ 1000m	ft	m	in	mm	oz	g	in	mm	in	mm	in	mm
34 220	8x42	345	115	16.4	5	0.7	18	23.6	670	6	151	4.4-5.1	113-129	2.3-3	58-75
34 221	8x42	345	115	16.4	5	0.7	18	23.6	670	6	151	4.4-5.1	113-129	2.3-3	58-75
34 222	10x42	300	100	16.4	5	0.6	15	23.6	670	6	151	4.4-5.1	113-129	2.3-3	58-75
34 223	10x42	300	100	16.4	5	0.6	15	23.6	670	6	151	4.4-5.1	113-129	2.3-3	58-75
34 200	8x25	356	119	19.7	6	0.4	10	10.4	295	4.2	105	2.9-4.4	73-112	1.5-3	37-76
34 201	8x25	356	119	19.7	6	0.4	10	10.4	295	4.2	105	2.9-4.4	73-112	1.5-3	37-76
34 202	10x25	303	101	19.7	6	0.4	10	10.4	295	4.2	105	2.9-4.4	73-112	1.5-3	37-76
34 203	10x25	303	101	19.7	6	0.4	10	10.4	295	4.2	105	2.9-4.4	73-112	1.5-3	37-76
34 204	12x25	246	82	19.7	6	0.3	8	10.4	295	4.2	105	2.9-4.4	73-112	1.5-3	37-76
34 205	12x25	246	82	19.7	6	0.3	8	10.4	295	4.2	105	2.9-4.4	73-112	1.5-3	37-76



SPOTTING SCOPES

FRONTIER

ED glass, dielectric and precision barrel focus. > p.150

NEW ENDURANCE

Long distance advanced optical systems. > p.152

NEW NATURE-TREK

Bring nature closer however you travel. > p.156

VANTAGE

The complete spotting scope kit. > p.158



FRONTIER

PERFORMANCE ABOVE ALL ELSE.



FRONTIER

Frontier ED spotting scopes represent precision and performance wrapped up in a sleek and stylish package.

The magnesium alloy bodied Frontier ED features an impressive 85mm ED optical system. The barrel focusing ring is smooth to operate and allows the user to achieve sharp images with excellent colour reproduction.



FRONTIER ED

ED | DC | FMC | BAK-4 | Waterproof

FEATURES

Extra-low dispersion glass for optimum clarity
Dielectric coatings designed to increase light reflectivity
Fully multi-coated optics to produce sharp images
Close focus – see detail from 32.8ft/10m
BAK-4 porro prisms for intense colour and contrast
Barrel focusing ring for quick and easy adjustments
Body rotation for viewing in virtually any position
Stay-on soft scope cover for maximum protection
Twist-up eye cup and pull out sunshade
Digi-scope compatible for use with your camera
Nitrogen purged – water and fog proof
Hawke lifetime warranty

> ACCESSORIES AVAILABLE ON PAGE 162-164

SUPPLIED WITH

- + Zoom eyepiece + Lens cloth
- + Scope cover
- + Lens caps



58 100

20-60x85

147-69ft/49-23m
@ 1000yds/m

Green/Black

£699.99

ENDURANCE

EVERY BIT AS DEPENDABLE AS YOU.



ENDURANCE

Whether your interest is in sports, bird watching or wildlife, Endurance spotting scopes are sure to provide the performance you demand for years to come.

When you require the finest image reproduction, these scopes will provide the clarity and colour you desire. Designed to produce stunning images all scopes feature a dual focus knob, 3x ratio eye pieces with twist-up eye cups and fully multi-coated optics with dielectric coated prisms.



ENDURANCE ED

ED | DC | FMC | BAK-4 | Waterproof

FEATURES

- Extra-low dispersion glass for optimum clarity
- Dielectric coatings designed to increase light reflectivity
- Fully multi-coated optics to produce sharp images
- Close focus – see detail from 16.4ft/5m
- BAK-4 porro prisms for intense colour and contrast
- Dual focus knob to achieve ultra fine focusing
- Body rotation for viewing in virtually any position
- Stay-on soft scope cover for maximum protection
- Twist-up eye cup and pull out sunshade
- Digi-scope compatible for use with your camera
- Nitrogen purged – water and fog proof
- Hawke lifetime warranty

> ACCESSORIES AVAILABLE ON PAGE 162-164

SUPPLIED WITH

- + Zoom eyepiece
- + Lens cloth
- + Scope cover
- + Lens caps



56 200

16-48x68

130.5-64.5ft/43.5-21.5m
@ 1000yds/m

Green/Black

£599.99



56 202

20-60x85

105-52.5ft/35-17.5m
@ 1000yds/m

Green/Black

£699.99



ENDURANCE

DC | FMC | BAK-4 | Waterproof

FEATURES

- Dielectric coatings designed to increase light reflectivity
- Fully multi-coated optics to produce sharp images
- Close focus – see detail from 16.4ft/5m
- BAK-4 porro prisms for intense colour and contrast
- Dual focus knob to achieve ultra fine focusing
- Body rotation for viewing in virtually any position
- Stay-on soft scope cover for maximum protection
- Twist-up eye cup and pull out sunshade
- Digi-scope compatible for use with your camera
- Nitrogen purged – water and fog proof
- Hawke lifetime warranty

> ACCESSORIES AVAILABLE ON PAGE 162-164

SUPPLIED WITH

- + Zoom eyepiece + Lens cloth
- + Scope cover
- + Lens caps



56 100

16-48x68

130.5-64.5ft/43.5-21.5m
@ 1000yds/m

Green/Black

£399.99



56 102

20-60x85

105-52.5ft/35-17.5m
@ 1000yds/m

Green/Black

£449.99

ENDURANCE

DC | FMC | BAK-4 | Waterproof

FEATURES

- Ultra compact and lightweight construction
- Angled and straight eyepiece models available
- Dielectric coatings designed to increase light reflectivity
- Fully multi-coated optics to produce sharp images
- Close focus – see detail from 8.2ft/2.5m
- BAK-4 porro prisms for intense colour and contrast
- Dual focus knob to achieve ultra fine focusing
- Stay-on soft scope cover for maximum protection
- Twist-up eye cup and pull out sunshade
- Digi-scope compatible for use with your camera
- Nitrogen purged – water and fog proof
- Hawke lifetime warranty

> ACCESSORIES AVAILABLE ON PAGE 162-164

SUPPLIED WITH

- + Zoom eyepiece
- + Lens cloth
- + Scope cover
- + Lens caps



NEW



56 090

12-36x50

174-90ft/58-30m
@ 1000yds/m

Green/Black

£329.99

NEW



56 092

12-36x50

174-90ft/58-30m
@ 1000yds/m

Green/Black

£329.99

NATURE-TREK

GETTING YOU CLOSER TO THE ACTION.



NATURE-TREK

The Nature-Trek spotting scope family offers exceptional optical performance in a lightweight and waterproof modern design. A fully multi-coated optical system combined with BAK-4 porro prisms produce extremely clear and sharp images.

The 65mm and 80mm optical systems have been optimised for maximum performance whilst keeping the scope body short in length making them ideal for hiking and travel. Featuring a rotating tripod band, twist out sunshade and stay-on cover for protection.



NATURE-TREK

FMC | BAK-4 | Waterproof

FEATURES

Fully multi-coated optics to produce sharp images

Close focus – see detail from 11.5ft/3.5m

BAK-4 porro prisms for intense colour and contrast

Body rotation for viewing in virtually any position

Stay-on soft scope cover for maximum protection

Fold down eye cup and pull out sunshade

Digi-scope compatible for use with your camera

Nitrogen purged – water and fog proof

Hawke lifetime warranty



> ACCESSORIES AVAILABLE ON PAGE 162-164

SUPPLIED WITH

- + Zoom eyepiece + Lens cloth
- + Scope cover
- + Lens caps

NEW



55 200

16-48x65

138-73.5ft/46-24.5m
@ 1000yds/m

Green/Black

£229.99

NEW



55 201

20-60x80

108-60ft/36-20m
@ 1000yds/m

Green/Black

£249.99

VANTAGE

EVERYTHING YOU NEED.
NOTHING YOU DON'T.



VANTAGE

Vantage spotting scopes are supplied with everything you need to get started. Available in a choice of 24-72x or 20-60x magnification, Vantage spotting scope kits are designed to enhance your viewing pleasure.

The tough rubber coating provides a waterproof body. Both Vantage spotting scopes are supplied with a hard storage case, soft scope cover and an adjustable mini tripod with integrated window mount.



VANTAGE

FMC | BK-7 | Waterproof

FEATURES

- Fully multi-coated optics to produce sharp images
- Close focus – see detail from 23ft/7m
- BK-7 porro prisms for intense colour and contrast
- Stay-on soft scope cover for maximum protection
- Fold down eye cup and pull out sunshade
- Digi-scope compatible for use with your camera
- Supplied with adjustable mini tripod
- Nitrogen purged – water and fog proof
- Hawke lifetime warranty



> ACCESSORIES AVAILABLE ON PAGE 162 & 164

SUPPLIED WITH

- + Hard case
- + Mini tripod
- + Scope cover
- + Lens caps
- + Lens cloth



51 100

20-60x60

114-51ft/38-17m
@ 1000yds/m

Green/Black

£149.99



51 101

24-72x70

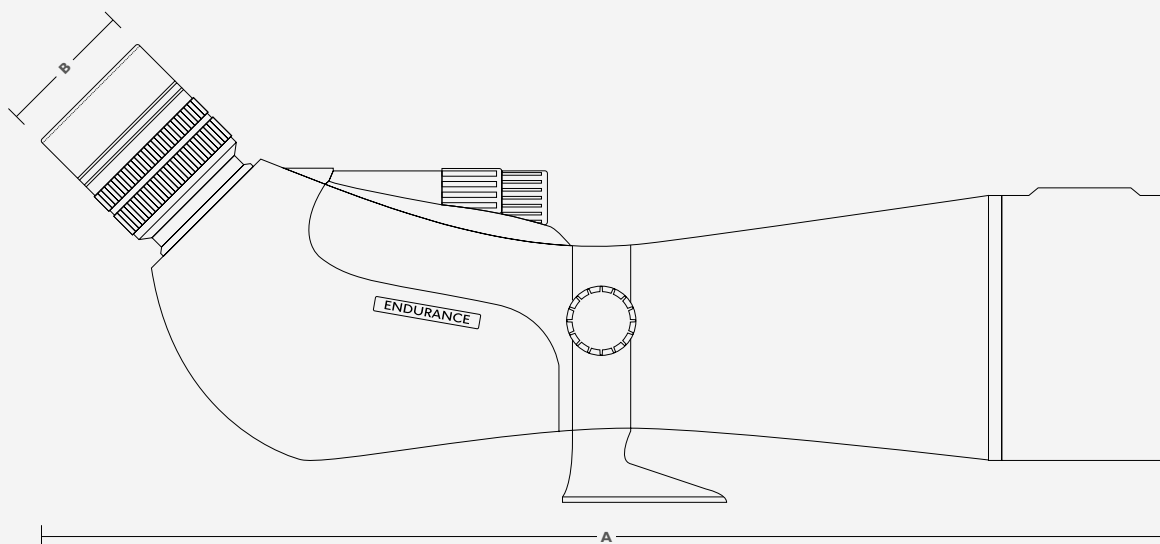
84-42ft/28-14m
@ 1000yds/m

Green/Black

£179.99



Code	Model	Field of View		Close Focus		Eye Relief		Weight		A		B	
		ft @ 1000yds	m @ 1000m	ft	m	in	mm	oz	g	in	mm	in	mm
58 100	Frontier ED 20-60x85	147-69	49-23	32.8	10	0.8	20	67.9	1924	17.5	445	2	52
56 200	Endurance ED 16-48x68	130.5-64.5	43.5-21.5	16.4	5	0.8	20	52.6	1490	15.9	405	2	52
56 202	Endurance ED 20-60x85	105-52.5	35-17.5	32.8	10	0.8	20	63.8	1810	17.1	435	2	52
56 100	Endurance 16-48x68	130.5-64.5	43.5-21.5	16.4	5	0.8	20	52.6	1490	15.9	405	2	52
56 102	Endurance 20-60x85	105-52.5	35-17.5	32.8	10	0.8	20	63.8	1810	17.1	435	2	52
56 090	Endurance 12-36x50	174-90	58-30	8.2	2.5	0.6	15	24.7	700	10.5	266	1.8	46
56 092	Endurance 12-36x50	174-90	58-30	8.2	2.5	0.6	15	25.2	714	10	255	1.8	46



Code	Model	Field of View		Close Focus		Eye Relief		Weight		A		B	
		ft @ 1000yds	m @ 1000m	ft	m	in	mm	oz	g	in	mm	in	mm
55 200	Nature-Trek 16-48x65	138-73.5	46-24.5	11.5	3.5	0.8	20	39.9	1130	14	356	2	50
55 201	Nature-Trek 20-60x80	108-60	36-20	18	5.5	0.8	20	46.2	1310	15.7	398	2	50
51 100	Vantage 20-60x60	114-51	38-17	23	7	0.7-0.5	18-13	28	795	13.8	350	1.5	38
51 101	Vantage 24-72x70	84-42	28-14	29.5	9	0.7-0.5	18-13	36.9	1045	15	380	1.5	38

ACCESSORIES

Digi-Scope Adaptors

OVERVIEW

Spotting scopes can be used in conjunction with digital cameras to obtain close up photos. Hawke offers a range of precision engineered accessories that assist with the setup. Converting the Hawke range of spotting scopes to a digi-scope has never been easier.

Simply choose the digi-scope adaptor for your spotting scope and select the T2 adaptor relevant to your camera. For cameras not matching the T2 or DG rings, we suggest using the digi-scope adapter (64 024).



64 022

Digi-Scope Adaptor
(Sapphire ED)

DG Ring Adaptors
42mm, 30mm, 43mm,
52mm, 55mm, 58mm

£89.99



64 023

Digi-Scope Adaptor
(Frontier ED)

£69.99



64 021

Digi-Scope Adaptor
(Endurance/Endurance ED
- 68mm/85mm Models)

£44.99



64 025

Digi-Scope Adaptor
(Endurance - 50mm Model)

£49.99



64 026

Digi-Scope Adaptor
(Nature-Trek - Not
compatible with pre
2017 models)

£44.99



64 024

Digi-Scope Adaptor
Compact Cameras Only
(Vantage)

£44.99



64 000

SLR T2
Camera Adaptor

Nikon

£16.99



64 001

SLR T2
Camera Adaptor

Canon EOS

£16.99



64 002

SLR T2
Camera Adaptor

Pentax K

£16.99



64 003

SLR T2
Camera Adaptor

Minolta Maxxum

£16.99



64 004

SLR T2
Camera Adaptor

Sony

£16.99



64 005

SLR T2
Camera Adaptor

Olympus

£16.99

ACCESSORIES

Tripods | Binocular Mount | Balance Plate | Eyepieces

OVERVIEW

For extended binocular viewing the binocular tripod mount attaches to full size binoculars. The mount can then be attached to a tripod for hands free viewing.

To adjust the balance point of a spotting scope the balance plate can be used. This assists in stability.

Fixed power eyepieces offer a wider view while reducing the number of elements, increasing light transmission.



64 102

Adjustable Table
Top Tripod

10.2-13.4in/26-34cm

£21.99



64 103

Compact Table
Top Tripod

9.4in/24cm

£17.99



64 104

Binocular Tripod
Mount

£17.99



64 105

Balance Plate
Universal

£19.99



64 050

Endurance Eyepiece
21x (50mm Model)
171ft/57m @ 1000yds/m
27x (68mm Model)
117ft/39m @ 1000yds/m
33x (85mm Model)
96ft/32m @ 1000yds/m

£129.99



LASER RANGE FINDERS



LASER RANGE FINDERS

The Hawke laser range finder range is designed to provide a variety of accurate distance measurements with the press of a button. They have been ergonomically designed to fit your hand with easy access to both buttons.

Range finding capabilities on the full size models include: distance, height, height difference and angle. The compact models have been specifically designed with modes for hunting. Manufactured with an eye safe CE approved laser.





LASER RANGE FINDERS

FMC | BK-7 | Waterproof

FEATURES

Fully multi-coated optical system – BK-7 prisms

6x magnification and an adjustable dioptre

Ergonomically designed to fit in your hand

Twist-up eye cup to ensure proper eye relief

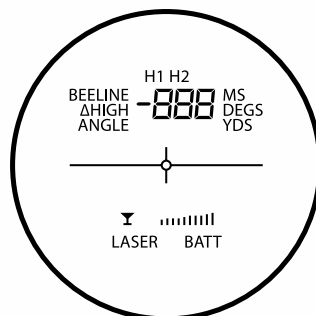
3 models available 400m, 600m and 900m

Beeline/height/angle mode – accurate to +/- 1m

Auto shut off battery save feature

Nitrogen purged – water and fog proof

Hawke two year warranty



SUPPLIED WITH

- + CR2 battery
- + Wrist Strap
- + Lens cloth
- + Carry case



4I 100

400m

366ft/122m
@ 1000yds/m

6.3oz/180g

£169.99



4I 101

600m

366ft/122m
@ 1000yds/m

6.3oz/180g

£189.99



4I 102

900m

366ft/122m
@ 1000yds/m

6.3oz/180g

£219.99



LASER RANGE FINDER HUNTER

FMC | BK-7 | Waterproof

FEATURES

Fully multi-coated optical system – BK-7 prisms

6x magnification and an adjustable dioptre

Ergonomically designed to fit in your hand

2 models available – 400m and 600m

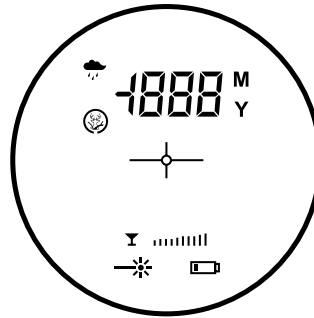
Standard/Rain/Hunt mode - accurate to +/- 1m

Lightweight and compact construction

Auto shut off battery save feature

Nitrogen purged – water and fog proof

Hawke two year warranty



SUPPLIED WITH

- + CR2 battery + Wrist Strap
- + Lens cloth
- + Carry case

NEW



41 000

400m

420ft/140m
@ 1000yds/m

5oz/141g

£149.99

NEW



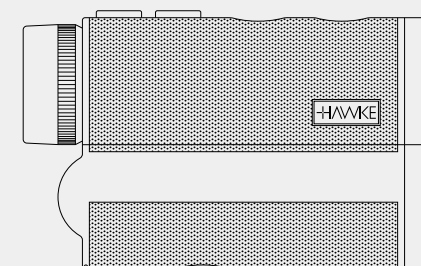
41 001

600m

420ft/140m
@ 1000yds/m

5oz/141g

£169.99



Code	Range		Accuracy	Field of View		Angle Range	Magnification	Eye Relief		Objective		Battery	Waterproof Rating	Dimensions		Weight	
	yds	m		yds/m	ft @1000yds			m @1000m	in	mm	in			mm	in	mm	oz
41 100	7-437	6-400	+/- 1	366	122	90°	6x	0.5	12	1	25	3V CR2	IPX6	1.97 x 4.6 x 2.9	50 x 118 x 74	6.3	180
41 101	7-656	6-600	+/- 1	366	122	90°	6x	0.5	12	1	25	3V CR2	IPX6	1.97 x 4.6 x 2.9	50 x 118 x 74	6.3	180
41 102	7-984	6-900	+/- 1	366	122	90°	6x	0.5	12	1	25	3V CR2	IPX6	1.97 x 4.6 x 2.9	50 x 118 x 74	6.3	180
41 000	7-437	6-400	+/- 1	420	140	N/A	6x	0.5	12	0.8	21	3V CR2	IPX4	1.65 x 3.8 x 3	42 x 96 x 77	5	141
41 001	7-656	6-600	+/- 1	420	140	N/A	6x	0.5	12	0.8	21	3V CR2	IPX4	1.65 x 3.8 x 3	42 x 96 x 77	5	141

NATURE CAMERAS



NATURE CAMERAS

Hawke nature cameras are designed to capture images and videos in remote locations. An array of infrared LEDs allow you to take pictures at night when wildlife is most active.

The cameras are activated by a wide angle PIR sensor that detects movement, this triggers the camera and captures any wildlife within the camera's field of view.



NATURE CAMERAS

Weatherproof

FEATURES

- Selectable resolution for photos and video
- Infrared LEDs to capture images and videos at night
- Display screen to edit settings in the field
- Wide angle PIR sensor (motion detector)
- Burst, time-lapse, time delay and duty time modes
- Date, time, temperature and moon phase stamp
- Robust and compact design - weatherproof
- Hawke two year warranty



NEW



46 100

Image: 10MP

Video: VGA

122x100x66mm
4.8x3.9x2.6in

£129.99

NEW



46 101

Image: 12MP

Video: VGA / HD

122x100x66mm
4.8x3.9x2.6in

£169.99

NEW



46 102

Image: 14MP

Video: HD / Full HD

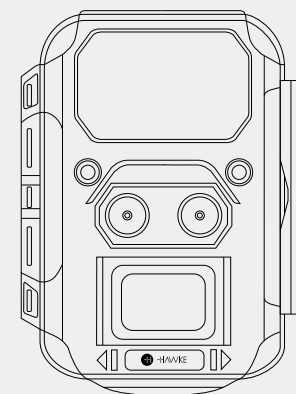
146x117x75mm
5.7x4.6x3in

£279.99

SUPPLIED WITH

- + USB lead
- + Mounting strap





Code	Image Resolution	Video Resolution	Video Length		Image Sensor	Aperture		Field of View	Trigger Speed	IR LEDs	IR Range	Burst		Time Delay	Display	Power Supply	External Power Supply
			Day	Night		Day	Night					Day	Night				
46 100	5MP / 10MP	VGA	5s - 30s	5s - 30s	1/2.5 Inch	F3.0	F2.0	55°	>0.8s	21	39ft/12m	3	3	5s - 10m	2 Inch Text LCD	8x AA	DC-In 6V 1A
46 101	5MP / 8MP / 12MP	VGA / HD	5s - 60s	5s - 60s	1/2.5 Inch	F3.0	F2.0	55°	>0.8s	34 Covert	39ft/12m	1-5	1-5	5s - 10m	2 Inch TFT LCD	8x AA	DC-In 6V 1A
46 102	5MP / 8MP / 14MP	HD / Full HD	5s - 60s	5s - 30s	1/2.5 & 1/3 Inch	F3.0	F2.4	52°	>0.3s	48 Covert	66ft/20m	1-10	1-3	1s - 10m	2 Inch TFT LCD	8x AA	DC-In 12V 1.5A







UK

Avocet House, Wilford Bridge Road,
Melton, Woodbridge, Suffolk, IP12 1RB, UK

t: +44 (0) 1394 387 762

f: +44 (0) 1394 386 255

e: uk@hawkeoptics.com



VISION ACCOMPLISHED

www.hawkeoptics.com

 Born in the UK